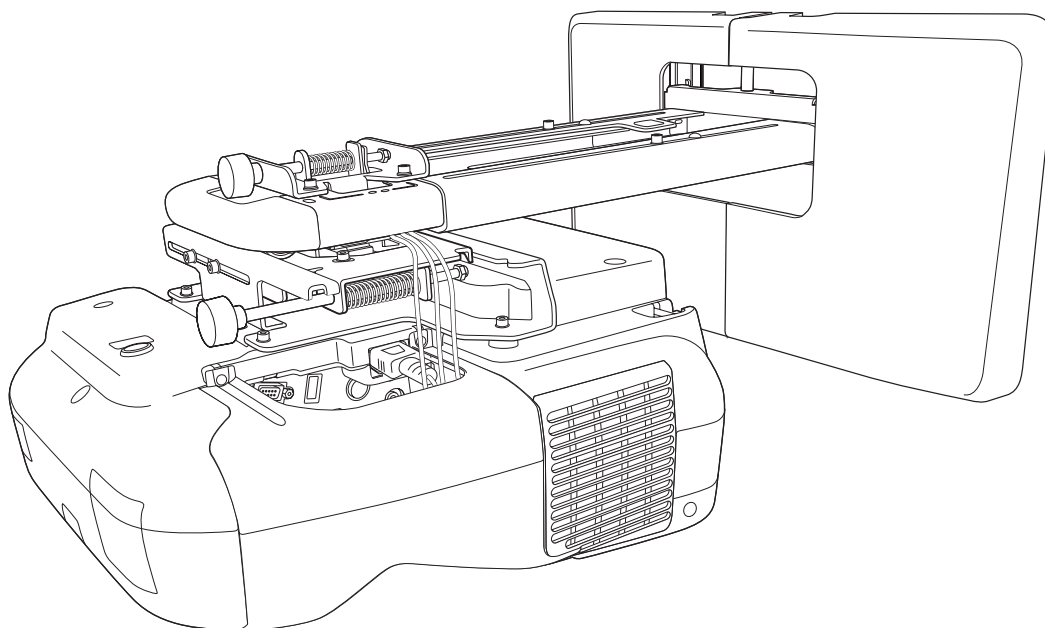


Installation Guide

Guide d'installation








Safety Instructions

For your safety, read all the instructions in this guide before using the wall mount. Incorrect handling that ignores instructions in this guide could damage the wall mount or could result in personal injury or property damage. Keep this installation guide on hand for future reference.









Read the safety instructions in the *User's Guide* for your projector and follow the instructions in this document.

Explanation of Symbols









The warning marks shown below are used throughout this installation guide to prevent personal injury or property damage. Make sure you understand these warnings when reading this installation guide.

 Warning	This symbol indicates information that, if ignored, could possibly result in personal injury or even death due to incorrect handling.
 Caution	This symbol indicates information that, if ignored, could possibly result in personal injury or physical damage due to incorrect handling.
	This symbol indicates related or useful information.
	Symbol indicating an action that must not be done
	Symbol indicating an action that should be done




Safety Precautions for Installation

 Warning	
The wall mount is designed specifically for mounting a projector to a wall. If anything other than a projector is mounted, the weight may result in damage. If the wall mount falls, it could cause personal injury or property damage.	
The installation work (wall mounting) should be performed by specialists who have technical knowledge and ability. Incomplete or incorrect installation could cause the wall mount to fall and cause personal injury or property damage.	
Follow the instructions in this guide when installing the wall mount. If the instructions are not followed, the wall mount may fall, resulting in personal injury or property damage.	
Handle the power cord carefully. Incorrect handling may cause fire or electric shock. Observe the following precautions when handling: <ul style="list-style-type: none"> • Do not handle the power plug with wet hands. • Do not use a power cord that is damaged or modified. • Do not pull the power cord with too much force when routing the cable through the wall mount. 	
Do not install the wall mount in a place where it might be subjected to vibration or shock. Vibration or shock could cause damage to the projector or mounting surface. It could also cause the wall mount or projector to fall and cause personal injury or property damage.	
Install the wall mount so that it can sufficiently support the weight of the projector and wall mount, and resist any horizontal vibration. Use M10 nuts and bolts and make sure to use appropriate wall anchors for your wall type. Nuts and bolts smaller than M10 could cause the wall mount to fall. Epson accepts no responsibility for any damage or injury caused by lack of wall strength or inadequate installation.	
The installation work should be performed by at least two qualified service personnel. If you need to loosen any screws during installation, be careful not to drop the wall mount. If the wall mount or projector falls, it could cause personal injury or property damage.	

⚠ Warning

<p>When you mount the projector on the wall with the wall mount, the wall requires enough strength to hold the projector and the wall mount.</p> <p>This wall mount should be installed on a concrete wall. Confirm the weight of the projector and the wall mount before installation, and maintain the strength of the wall. If the wall is not strong enough, reinforce the wall before installation.</p>	
<p>Inspect the wall mount on a regular basis to ensure there are no broken parts or loose screws.</p> <p>If there are any broken parts, stop using the wall mount immediately. If the wall mount or projector falls, it could cause personal injury or property damage.</p>	
<p>Never modify the wall mount.</p>	
<p>Do not hang on the wall mount or hang a heavy object on the wall mount.</p> <p>If the projector or wall mount falls, it could cause personal injury or property damage.</p>	
<p>Do not use adhesives, lubricants, or oils to install or adjust the wall mount. If you use adhesives to prevent the screws from loosening or things such as lubricants or oils on the part of the projector attached to the slide plate, the case may crack and cause the projector to fall, resulting in personal injury or property damage.</p>	
<p>Tighten all screws firmly after adjustment.</p> <p>Otherwise, the projector or wall mount may fall and cause personal injury or property damage.</p>	
<p>Never loosen the bolts and nuts after installation.</p> <p>Confirm that the screws have not become loose on a regular basis. If you find any loose screws, tighten them firmly. Otherwise, the projector or wall mount may fall and cause personal injury or property damage.</p>	
<p>When performing wiring, make sure the cable does not come into contact with any screws or bolts.</p> <p>Handling the cable incorrectly may cause fire or electric shock.</p>	

⚠ Caution








<p>Do not install the wall mount in a location where the operating temperature for your projector model may be exceeded. Such an environment may damage the projector.</p>	
<p>Install the wall mount in a place free from excessive dust and humidity to prevent the lens or optical components from becoming dirty.</p>	
<p>Do not use excessive force when adjusting the wall mount.</p> <p>The wall mount may break, resulting in personal injury.</p>	

Location

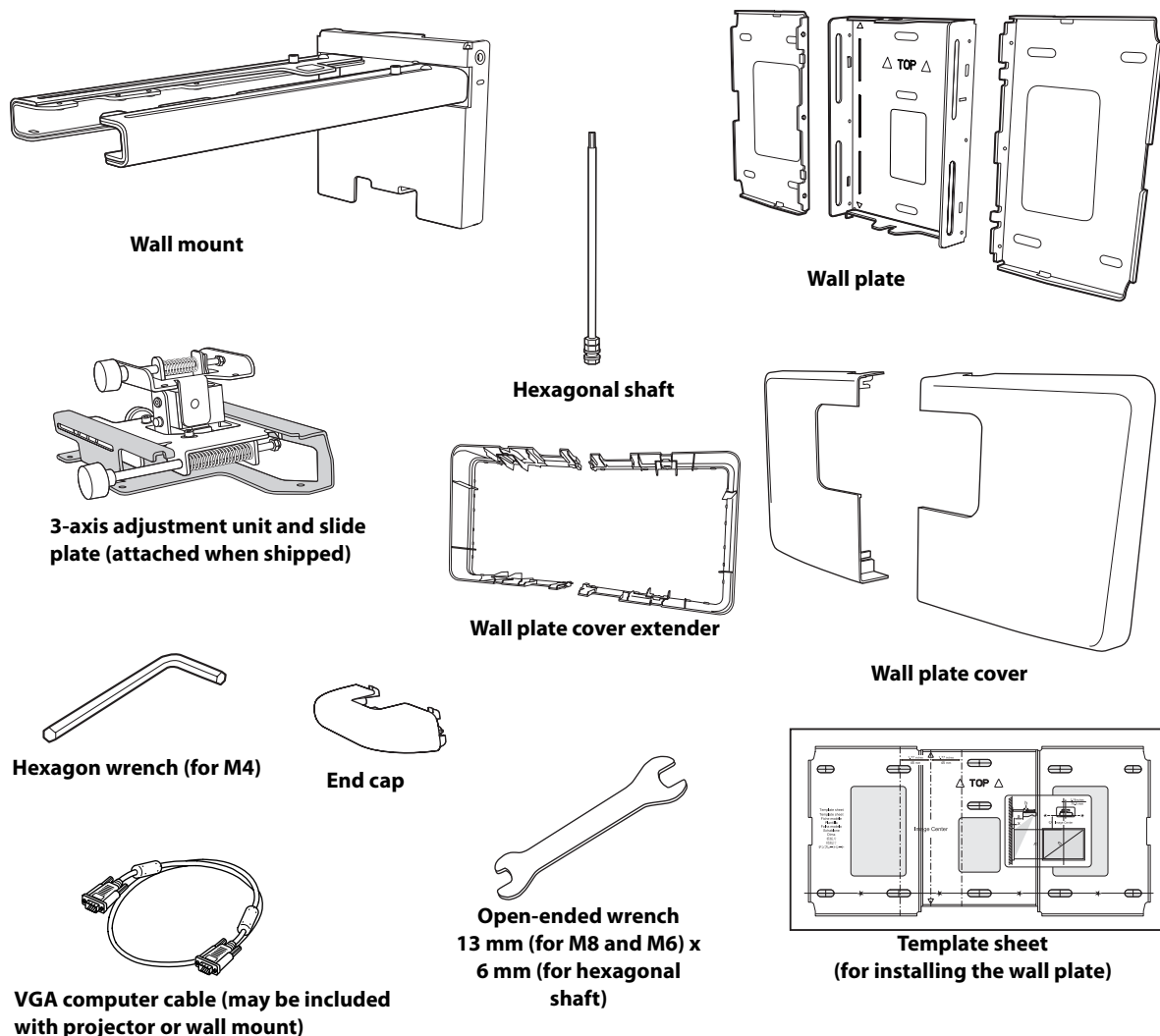
- Before installing the projector, verify the power supply wiring for the installation location.
- Install the projector away from other electric devices such as fluorescent lights or air conditioners. Some kinds of fluorescent lights could interfere with the remote control of the projector.
- Install the projector away from direct sunlight and other bright light sources.
- It is recommended to keep VGA computer cable length less than 65 ft (20 meters) to reduce external noise.




About This Installation Guide

This guide describes how to mount the ultra-short-throw projectors BrightLink 575Wi/585Wi/575Wi+/585Wi+ and PowerLite 570/575W/580/585W to a wall using the included Epson wall mount.

1	Package Contents	 5
2	Specifications	 6
3	Connecting Devices	 8
4	Positioning the Projector	 9
	<ol style="list-style-type: none">1. Installation worksheet for projecting on a pre-installed wall-mounted board2. Installation worksheet for projecting on a plain wall3. Installation measurements in inches4. Installation measurements in millimeters	
5	Installing the Projector	 23
	<ol style="list-style-type: none">1. Disassemble the parts2. Assemble the parts3. Install the wall plate on the wall4. Determine the projection distance and pull out the slider5. Route the cables through the wall mount arm6. Attach the mount arm to the wall plate7. Adjust the vertical slide position of the arm8. Attach the projector to the wall mount9. Connect the power cord and other cables to the projector	
6	Adjusting the Image	 34
	<ol style="list-style-type: none">1. Turn on the projector2. Display the test pattern3. Change the aspect ratio if necessary4. Adjust the focus5. Use the adjustment knob on the left side to adjust the horizontal roll6. Use the adjustment knob on the right side to adjust the horizontal rotation7. Use the adjustment knob on the top to adjust the vertical tilt8. Adjust the horizontal slide9. Adjust the forward/backward slide10. Adjust the vertical slide11. Turn off the display of the test pattern	
7	Attaching the Covers	 40
	<ol style="list-style-type: none">1. Attach the wall plate cover and end cap2. Attach the cable cover to the projector	

1 Package Contents



Shape	Name	Quantity	Application
	M4 x 12 mm hexagon socket head cap bolt with washer/spring washer	6	For wall plate assembly
		4	For 3-axis adjustment unit/wall mount installation
		4	For slide plate/projector installation
		2	For slide plate/3-axis adjustment unit installation (secured when shipped)
	M6 x 20 mm hexagon shoulder bolt with washer/spring washer	1	For wall mount/wall plate installation
	M6 x 20 mm cross recessed head shoulder screw with plastic washer	3	

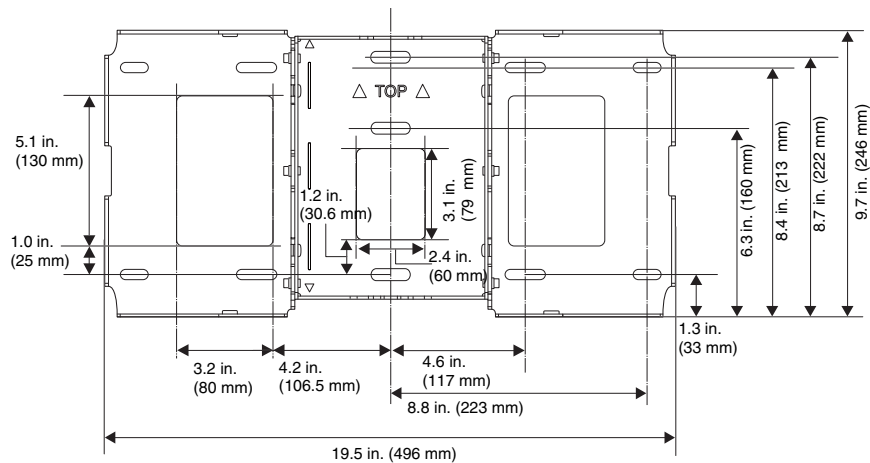
- Use the bolts or screws supplied with the wall mount to install it as directed in this guide. Do not substitute these bolts with any other types.
- You need to use commercially available M10 x 60 mm anchors (at least 3) to attach the wall plate to the wall.
- Gather the tools and parts you need before you begin installation, including a #3 cross-head screwdriver.

2 Specifications

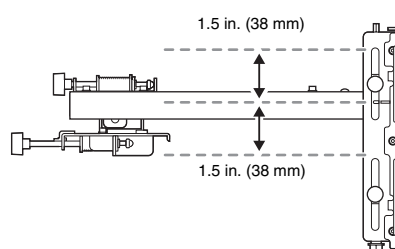
Item	Specification	Additional information	Reference Page
Wall mount weight (including the 3-axis adjustment unit, slide plate, wall plate, wall plate cover, wall plate cover extender, and end cap)	Approx. 18.5 lb (8.4 kg)	Wall mount: 6.6 lb (3.0 kg) 3-axis adjustment unit: 2.6 lb (1.2 kg) Slide plate: 1.8 lb (0.8 kg) Wall plate: 6.0 lb (2.7 kg) Wall plate cover and end cap: 0.9 lb (0.4 kg) Wall plate cover extender: 0.6 lb (0.3 kg)	—
Maximum load capacity	15.4 lb (7 kg)	—	—
Vertical slide adjustment range	± 1.5 in. (38 mm)	—	Refer to the illustration below
Horizontal slide adjustment range	± 1.8 in. (45 mm)	—	Refer to the illustration on page 7
Forward/backward slide adjustment range	0 to 14.2 in. (360 mm)	Arm slide adjustment range: 0 to 10.7 in. (273 mm) Adjustment from 3-axis adjustment unit installation position: 3.4 in. (87 mm)	Refer to the illustration on page 7
Horizontal roll adjustment range	± 3°	Fine adjustments possible with adjustment knob	36
Horizontal rotation adjustment range	± 8°	Fine adjustments possible with adjustment knob	37
Vertical tilt adjustment range	± 3°	Fine adjustments possible with adjustment knob	37

Wall plate

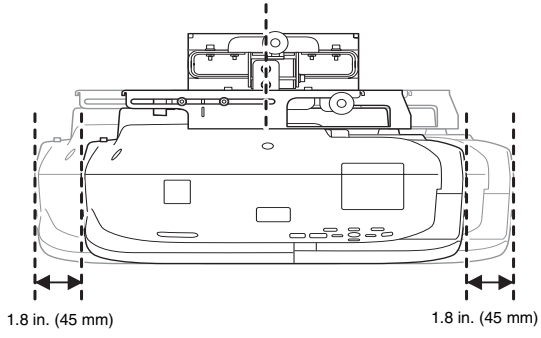
The wall plate is in three pieces when shipped. Use the included M4 x 12 mm bolts (x6) to attach the separate pieces together before mounting the projector. See page 24 for instructions.



Vertical slide adjustment range

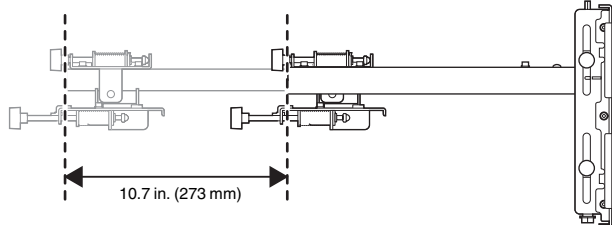


Horizontal slide adjustment range



Forward/backward slide adjustment range

Arm slide adjustment range



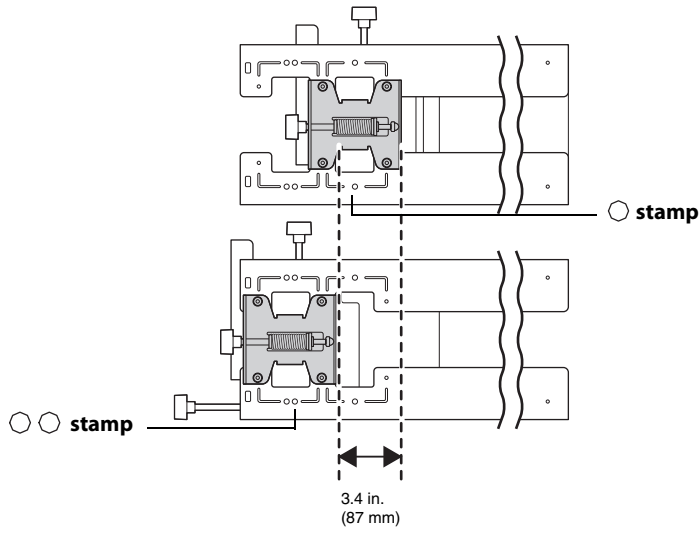
Adjustment from 3-axis adjustment unit installation position

By changing the installation position of the 3-axis adjustment unit to the front or back, you can adjust the installation position of the projector.

When the screen size is less than 75 inches, install it at the position marked with a ○ stamp on the mount arm.

When the screen size is 75 inches or more, install it at the position marked with a ○○ stamp on the mount arm.

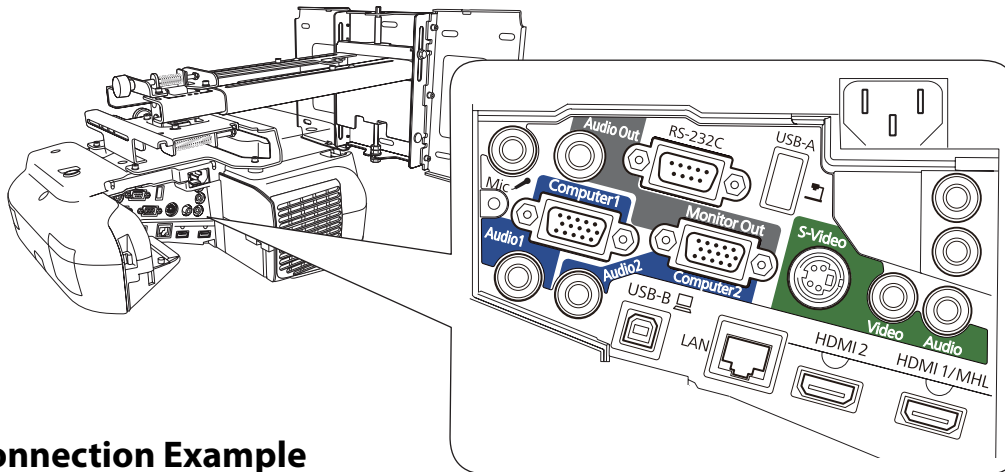
To see these stamps, you need to remove the two top screws and slide out the arm extension.



3 Connecting Devices

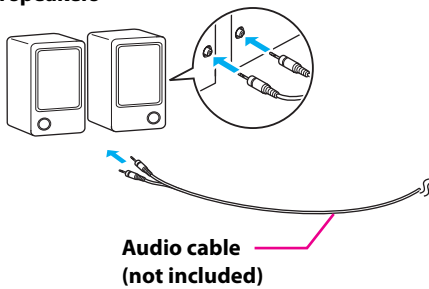
Make sure you have the power cord, computer cable, and other parts at the location where the wall mount is to be installed.

Make sure you also have all necessary cables for devices, such as a document camera or microphone, that you will connect to the projector. For details, refer to the online *User's Guide*.

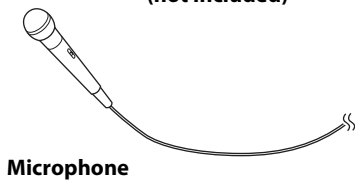
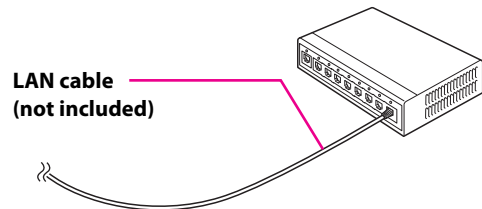


Connection Example

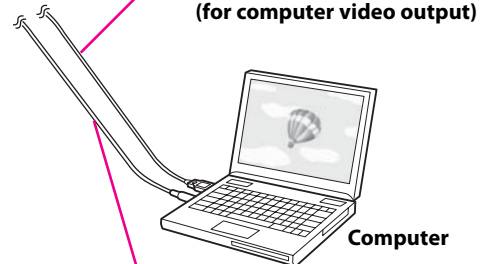
External speakers



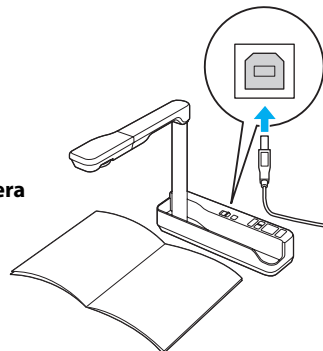
LAN device



Computer cable (for computer video output)



Document camera (Epson DC-06)



USB cable (for Easy Interactive Function on BrightLink models only)

Dedicated USB cable (supplied with document camera)

For Interactive Use (BrightLink 575Wi/585Wi/575Wi+/585Wi+ only)

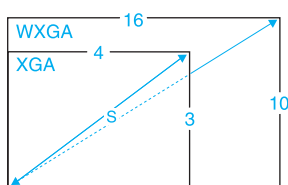
When interacting with a computer, you need a USB cable.
However, when using the projector's built-in toolbar, you do not need a USB cable.

4 Positioning the Projector

BrightLink 575Wi/585Wi/575Wi+/585Wi+ and PowerLite 575W/585W can project up to 100 inches diagonally for a WXGA image or 88 inches diagonally for an XGA image. PowerLite 570/580 can project up to 93 inches diagonally for an XGA image. You can project onto a pre-installed whiteboard or directly onto a plain wall. The height of the included wall mount determines the maximum image size and how high the image appears on the wall or whiteboard. The distance of the projector from the wall (once it is mounted on the adjustable arm of the wall mount) also affects image size and position.

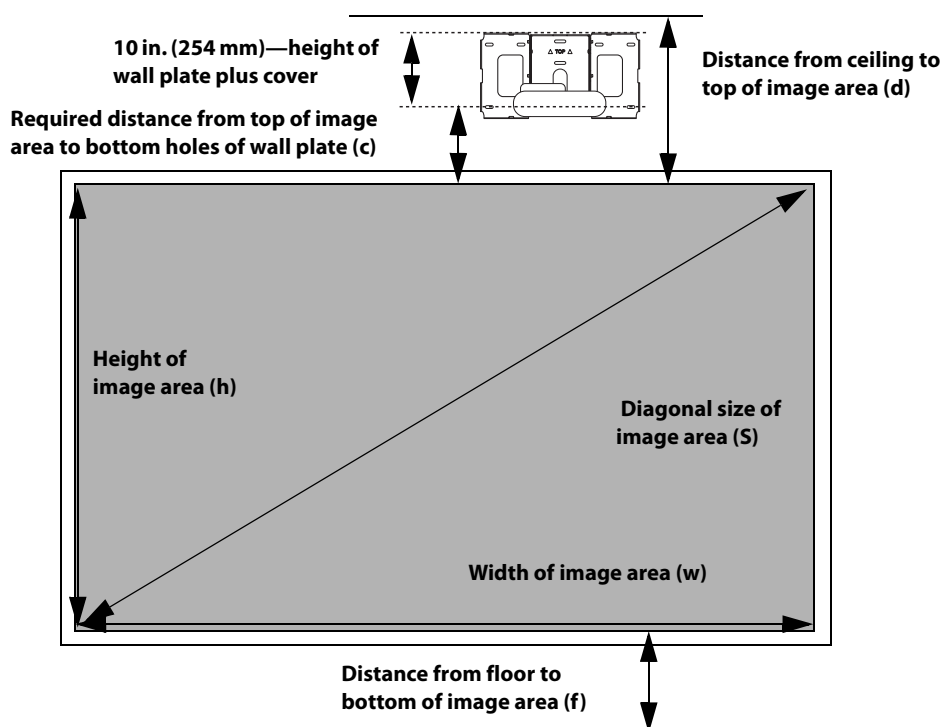
If you are planning to project on a whiteboard, the image may not fill the entire board, depending on the aspect ratio. If you match the image height to the board's height, gaps may appear on the sides of the board.

Use the following worksheets to determine the proper location of the wall plate on the wall. If you are projecting onto a pre-installed whiteboard, use the worksheet below. If you are projecting on a plain wall, use the worksheet on page 10.



Installation worksheet for projecting on a pre-installed wall-mounted board

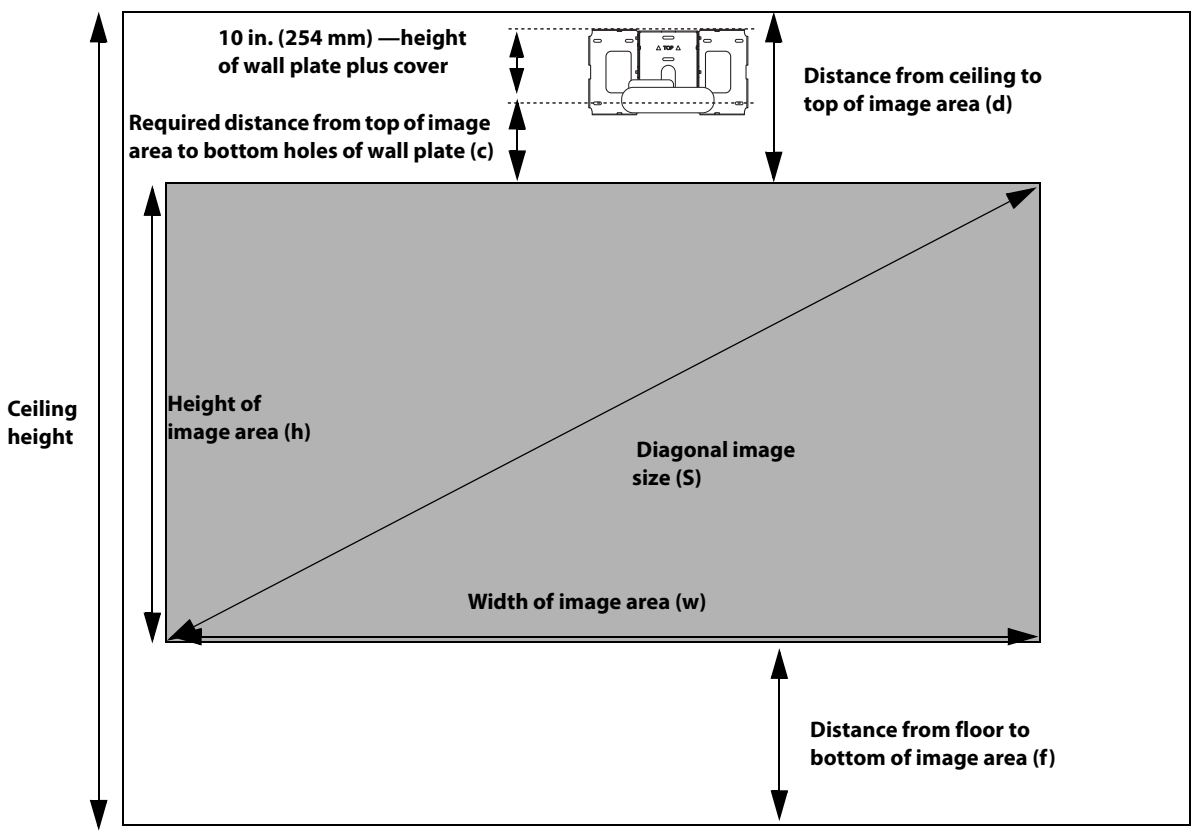
1. Measure the ceiling height (distance from the floor to the ceiling). _____
2. Measure the height of the board's image area (h). _____ (h)
3. Measure the width of the board's image area (w). _____ (w)
4. Measure the distance from the floor to the bottom of the board's image area (f). _____ (f)
5. Measure the distance from the ceiling to the top of the board's image area (d). _____ (d)
6. Measure the thickness of the board (distance from the projection surface to the wall) (x). _____ (x)



7. Determine the aspect ratio of the board or of the images that will be projected. For new computers or laptops, this will most likely be WXGA (16:10). For older equipment, this will most likely be XGA (4:3). You may need to consult your IT department for this information.
- ___ 4:3 XGA ___ 16:10 WXGA ___ 16:9 Widescreen
8. Using the tables on pages 14 to 21 for your aspect ratio and desired image height (h), find the required distance between the top of the image area and the bottom holes of the wall plate (c). _____ (c)
9. Determine the position for your projector installation by adding the values for (f), (h), and (c), plus an additional 10 inches for the height of the wall plate plus the cover. _____ (f)
 _____ (h)
 _____ (c)
 If the ceiling height of your room (as noted in step 1) does not meet the minimum ceiling height required for your board, you may need to select a smaller image size or move the board to a lower position on the wall. +10 inches
 _____ total
10. After confirming your image size, use tape or a pencil to mark the distance (c) from the top of the image area on the board to the bottom holes of the wall plate.
11. Align the ★ line (horizontal) on the template sheet with the (c) mark, then align the center line on the template sheet with the center of the image area. Follow the instructions on page 23 to install the projector.

Installation worksheet for projecting on a plain wall

1. Measure the ceiling height (distance from the floor to the ceiling). _____
2. Determine the desired aspect ratio of the image. For new computers or laptops, this will most likely be WXGA (16:10). For older equipment, this will most likely be XGA (4:3). You may need to consult your IT department for this information.
- ___ 4:3 XGA ___ 16:10 WXGA ___ 16:9 Widescreen
3. Using the tables on pages 14 to 21 for your aspect ratio, select the largest image size available for your ceiling height.
- Image height (h) _____ (h)
 Image width (w) _____ (w)
4. Determine the desired distance from the floor to the bottom of the image area (f). _____ (f)
 The recommended minimum distance is 30 inches. Images appearing less than 28 inches from the floor may be obstructed for some viewers.
5. Find the top of the projected image area by adding distances (f) and (h). _____
6. Use the tables on pages 14 to 21 to determine the required distance from the top of the image area to the bottom holes of the wall plate (c). _____ (c)
7. Add:
 Required distance from top of image area to bottom holes of wall plate (c) _____ (c)
 Height of image area (h) _____ (h)
 Distance from floor to bottom of image area (f) _____ (f)
 Height of wall plate plus cover +10 inches
 _____ total
 If the total exceeds the ceiling height, you will need to reduce the image size or reduce the distance from the floor to the bottom of the image area.



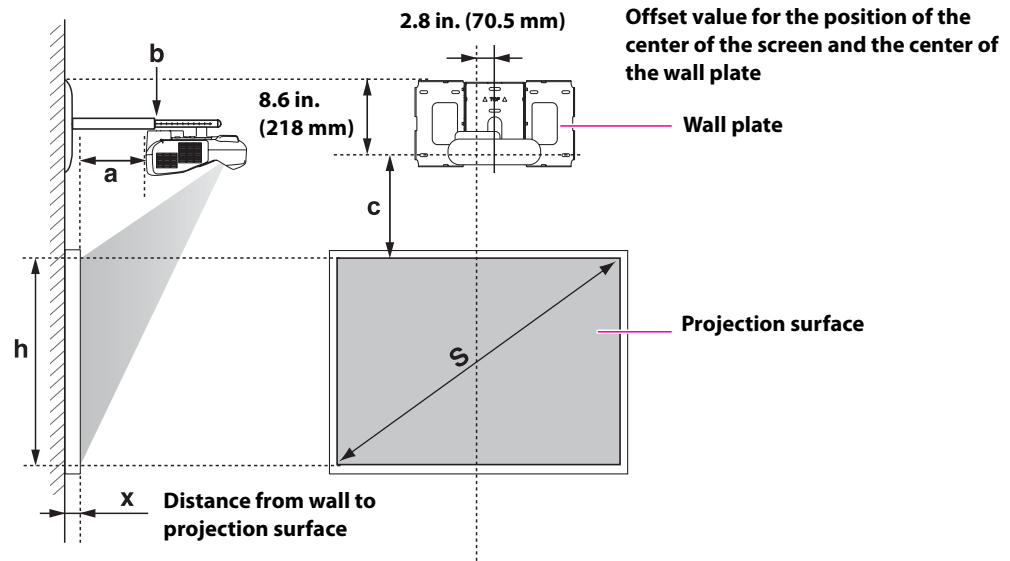
8. After confirming your image size, use tape or a pencil to mark the distance (c) from the top of the image area on the board to the bottom of the wall plate.
9. Align the ★ line (horizontal) on the template sheet with the (c) mark, then align the center line on the template sheet with the center of the image area. Follow the instructions on page 23 to install the projector.

The tables on the following pages provide installation information for all supported image sizes. The minimum ceiling height is based on an image 30 inches from the floor; if the image is lower, the minimum ceiling height is reduced by the corresponding measurement.

Use the worksheets, the illustrations, and the information in the tables on the following pages to determine the projection distance and placement of the wall plate. The recommended range for projection distance (a) as shown on the following pages is 2.5 to 12.2 inches (62 to 311 mm).

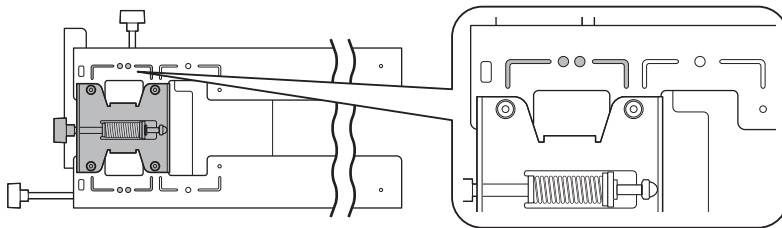
Diagonal image size and mounting position

The numbers on the slider measure (b) are the same as the projection distance (a) when the diagonal image size (S) is 75 inches or more. Because the installation position of the projector changes when (S) is less than 75 inches, the numbers for (a) and (b) differ.

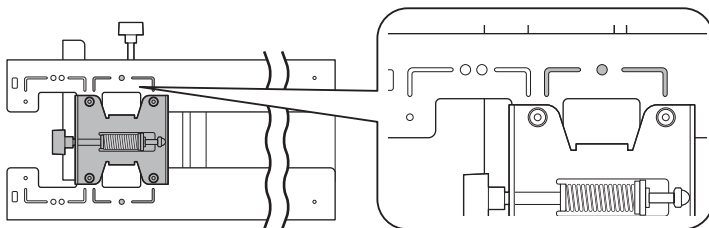


In order to see the stamp and the numbers on the slider scale, you need to slide out the arm extension.

When the diagonal image size is 75 inches or more, mount the 3-axis adjustment unit at the position marked with a ○ ○ stamp.



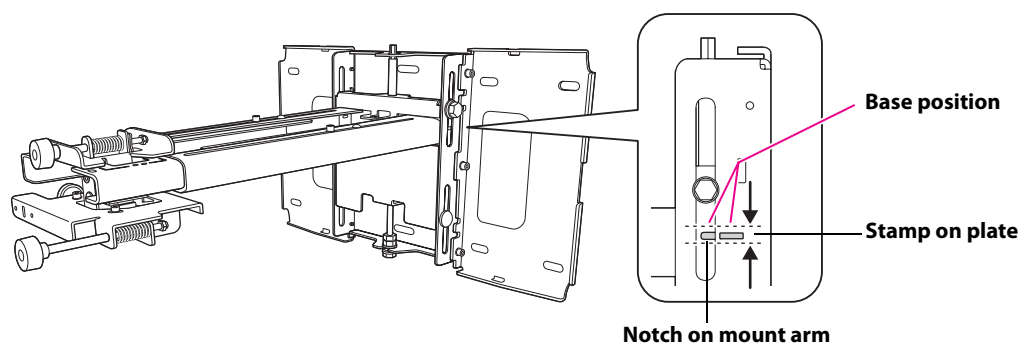
When the diagonal image size is less than 75 inches, mount the 3-axis adjustment unit at the position marked with a ○ stamp.



Distance from projection surface to wall plate

The distance (c) from the projection surface to the wall plate is the number given when the vertical slide is set to the base position, as shown below.

Match the notch on the wall mount to the position of the stamp on the wall plate.



The measurements may differ depending on the location where you place the projector.



When projecting in Tele, the quality of the projected images may decrease.

When using BrightLink 575Wi/585Wi/575Wi+/585Wi+ or PowerLite 575W/585W to project images at a 4:3 aspect ratio, the images are resized automatically and the quality of the projected images may decrease.

Installation Measurements in Inches for BrightLink 575Wi+/585Wi+/585Wi+ and PowerLite 575W/585W

Diagonal image size (S)	16:10 WXGA						4:3 XGA						16:9 Widescreen					
	Min. ceiling height*	Image width (w)	Image height (h)	Min. projection distance (a)	Slider scale mark (b)	Distance from top of image to wall plate (c)	Min. ceiling height*	Image width (w)	Image height (h)	Min. projection distance (a)	Slider scale mark (b)	Distance from top of image to wall plate (c)	Min. ceiling height*	Image width (w)	Image height (h)	Min. projection distance (a)	Slider scale mark (b)	Distance from top of image to wall plate (c)
53"	—	—	—	—	—	—	78.7	42.4	31.8	2.5	5.9	6.9	—	—	—	—	—	—
54"	—	—	—	—	—	—	79.4	43.2	32.4	2.7	6.1	7.0	—	—	—	—	—	—
55"	—	—	—	—	—	—	80.1	44.0	33.0	3.0	6.4	7.1	—	—	—	—	—	—
56"	—	—	—	—	—	—	80.8	44.8	33.6	3.3	6.7	7.2	—	—	—	—	—	—
57"	—	—	—	—	—	—	81.5	45.6	34.2	3.6	7.0	7.3	—	—	—	—	—	—
58"	—	—	—	—	—	—	82.3	46.4	34.8	3.8	7.3	7.5	—	—	—	—	—	—
59"	—	—	—	—	—	—	83.0	47.2	35.4	4.1	7.6	7.6	77.5	51.4	28.9	2.6	6.0	8.5
60"	78.7	50.9	31.8	2.5	5.9	6.9	83.7	48.0	36.0	4.4	7.8	7.7	78.1	52.3	29.4	2.9	6.3	8.7
61"	79.3	51.7	32.3	2.7	6.1	7.0	84.4	48.8	36.6	4.7	8.1	7.8	78.7	53.2	29.9	3.1	6.5	8.8
62"	79.9	52.6	32.9	3.0	6.4	7.1	85.1	49.6	37.2	5.0	8.4	7.9	79.3	54.0	30.4	3.4	6.8	8.9
63"	80.6	53.4	33.4	3.2	6.6	7.2	85.8	50.4	37.8	5.2	8.7	8.0	80.0	54.9	30.9	3.6	7.0	9.1
64"	81.2	54.3	33.9	3.4	6.9	7.3	86.6	51.2	38.4	5.5	8.9	8.2	80.6	55.8	31.4	3.9	7.3	9.2
65"	81.8	55.1	34.4	3.7	7.1	7.4	87.3	52.0	39.0	5.8	9.2	8.3	81.2	56.7	31.9	4.1	7.6	9.3
66"	82.5	56.0	35.0	3.9	7.4	7.5	88.0	52.8	39.6	6.1	9.5	8.4	81.8	57.5	32.4	4.4	7.8	9.5
67"	83.1	56.8	35.5	4.2	7.6	7.6	88.7	53.6	40.2	6.3	9.8	8.5	82.5	58.4	32.9	4.6	8.0	9.6
68"	83.7	57.7	36.0	4.4	7.8	7.7	89.4	54.4	40.8	6.6	10.0	8.6	83.1	59.3	33.3	4.9	8.3	9.7
69"	84.4	58.5	36.6	4.7	8.1	7.8	90.2	55.2	41.4	6.9	10.3	8.8	83.7	60.1	33.8	5.1	8.5	9.9
70"	85.0	59.4	37.1	4.9	8.3	7.9	90.9	56.0	42.0	7.2	10.6	8.9	84.3	61.0	34.3	5.4	8.8	10.0
71"	85.6	60.2	37.6	5.1	8.6	8.0	91.6	56.8	42.6	7.4	10.9	9.0	85.0	61.9	34.8	5.6	9.1	10.2
72"	86.3	61.1	38.2	5.4	8.8	8.1	92.3	57.6	43.2	7.7	11.1	9.1	85.6	62.8	35.3	5.9	9.3	10.3
73"	86.9	61.9	38.7	5.6	9.1	8.2	93.0	58.4	43.8	8.0	11.4	9.2	86.2	63.6	35.8	6.1	9.6	10.4
74"	87.5	62.8	39.2	5.9	9.3	8.3	93.8	59.2	44.4	8.3	11.7	9.4	86.8	64.5	36.3	6.4	9.8	10.6
75"	88.2	63.6	39.7	6.1	9.6	8.4	94.5	60.0	45.0	8.5	12.0	9.5	87.5	65.4	36.8	6.6	10.0	10.7
76"	88.8	64.4	40.3	6.4	9.9	8.5	95.2	60.8	45.6	8.8	12.3	9.6	88.1	66.2	37.3	6.9	10.2	10.8

Diagonal image size (S)	16:10 WXGA						4:3 XGA						16:9 Widescreen					
	Min. ceiling height**	Image width (w)	Image height (h)	Min. projection distance (a)	Slider scale mark (b)	Distance from top of image to wall plate (c)	Min. ceiling height**	Image width (w)	Image height (h)	Min. projection distance (a)	Slider scale mark (b)	Distance from top of image to wall plate (c)	Min. ceiling height**	Image width (w)	Image height (h)	Min. projection distance (a)	Slider scale mark (b)	Distance from top of image to wall plate (c)
77"	89.5	65.3	40.8	6.6	6.6	8.6	95.9	61.6	46.2	9.1	9.1	9.7	88.7	67.1	37.8	7.1	7.1	11.0
78"	90.1	66.1	41.3	6.9	6.9	8.8	96.6	62.4	46.8	9.4	9.4	9.8	89.3	68.0	38.2	7.4	7.4	11.1
79"	90.7	67.0	41.9	7.1	7.1	8.9	97.4	63.2	47.4	9.7	9.7	10.0	90.0	68.9	38.7	7.6	7.6	11.2
80"	91.4	67.8	42.4	7.3	7.3	9.0	98.1	64.0	48.0	9.9	9.9	10.1	90.6	69.7	39.2	7.9	7.9	11.4
81"	92.0	68.7	42.9	7.6	7.6	9.1	98.8	64.8	48.6	10.2	10.2	10.2	91.2	70.6	39.7	8.1	8.1	11.5
82"	92.6	69.5	43.5	7.8	7.8	9.2	99.5	65.6	49.2	10.5	10.5	10.3	91.8	71.5	40.2	8.4	8.4	11.6
83"	93.3	70.4	44.0	8.1	8.1	9.3	100.2	66.4	49.8	10.8	10.8	10.4	92.5	72.3	40.7	8.6	8.6	11.8
84"	93.9	71.2	44.5	8.3	8.3	9.4	100.9	67.2	50.4	11.0	11.0	10.5	93.1	73.2	41.2	8.9	8.9	11.9
85"	94.5	72.1	45.0	8.6	8.6	9.5	101.7	68.0	51.0	11.3	11.3	10.7	93.7	74.1	41.7	9.1	9.1	12.0
86"	95.2	72.9	45.6	8.8	8.8	9.6	102.4	68.8	51.6	11.6	11.6	10.8	94.3	75.0	42.2	9.4	9.4	12.2
87"	95.8	73.8	46.1	9.1	9.1	9.7	103.1	69.6	52.2	11.9	11.9	10.9	95.0	75.8	42.7	9.6	9.6	12.3
88"	96.4	74.6	46.6	9.3	9.3	9.8	103.8	70.4	52.8	12.1	12.1	11.0	95.6	76.7	43.1	9.9	9.9	12.5
89"	97.1	75.5	47.2	9.5	9.5	9.9	—	—	—	—	—	—	96.2	77.6	43.6	10.2	10.2	12.6
90"	97.7	76.3	47.7	9.6	9.6	10.0	—	—	—	—	—	—	96.8	78.4	44.1	10.4	10.4	12.7
91"	98.3	77.2	48.2	10.0	10.0	10.1	—	—	—	—	—	—	97.5	79.3	44.6	10.7	10.7	12.9
92"	99.0	78.0	48.8	10.3	10.3	10.2	—	—	—	—	—	—	98.1	80.2	45.1	10.9	10.9	13.0
93"	99.6	78.9	49.3	10.5	10.5	10.3	—	—	—	—	—	—	98.7	81.1	45.6	11.2	11.2	13.1
94"	100.3	79.7	49.8	10.8	10.8	10.4	—	—	—	—	—	—	99.3	81.9	46.1	11.4	11.4	13.3
95"	100.9	80.6	50.3	11.0	11.0	10.5	—	—	—	—	—	—	100.0	82.8	46.6	11.7	11.7	13.4
96"	101.5	81.4	50.9	11.3	11.3	10.6	—	—	—	—	—	—	100.6	83.7	47.1	11.9	11.9	13.5
97"	102.2	82.3	51.4	11.5	11.5	10.7	—	—	—	—	—	—	101.2	84.5	47.6	12.2	12.2	13.7
98"	102.8	83.1	51.9	11.7	11.7	10.9	—	—	—	—	—	—	—	—	—	—	—	—
99"	103.4	84.0	52.5	12.0	12.0	11.0	—	—	—	—	—	—	—	—	—	—	—	—
100"	104.1	84.8	53.0	12.2	12.2	11.1	—	—	—	—	—	—	—	—	—	—	—	—

* Based on an image 30 inches from the floor; if the image is lower, the minimum ceiling height is reduced by the corresponding measurement.

Installation Measurements in Inches for PowerLite 570/580

Diagonal image size (S)	4:3 XGA						16:10 WXGA						16:9 Widescreen					
	Min. ceiling height*	Image width (w)	Image height (h)	Min. projection distance (a)	Slider scale mark (b)	Distance from top of image to wall plate (c)	Min. ceiling height*	Image width (w)	Image height (h)	Min. projection distance (a)	Slider scale mark (b)	Distance from top of image to wall plate (c)	Min. ceiling height*	Image width (w)	Image height (h)	Min. projection distance (a)	Slider scale mark (b)	Distance from top of image to wall plate (c)
52"	—	—	—	—	—	—	—	—	—	—	—	—	75.8	45.3	25.5	2.6	6.1	10.3
53"	—	—	—	—	—	—	76.9	44.9	28.1	2.5	5.9	8.8	76.4	46.2	26.0	2.9	6.3	10.5
54"	—	—	—	—	—	—	77.6	45.8	28.6	2.8	6.2	9.0	77.1	47.1	26.5	3.2	6.6	10.7
55"	—	—	—	—	—	—	78.2	46.6	29.2	3.1	6.5	9.1	77.8	47.9	27.0	3.5	6.9	10.8
56"	79.6	44.8	33.6	2.5	5.9	6.0	78.9	47.5	29.7	3.4	6.8	9.3	78.5	48.8	27.5	3.8	7.2	11.0
57"	80.3	45.6	34.2	2.7	6.1	6.1	79.6	48.3	30.2	3.6	7.0	9.4	79.2	49.7	27.9	4.1	7.5	11.2
58"	80.9	46.4	34.8	3.0	6.4	6.2	80.3	49.2	30.7	3.9	7.3	9.6	79.8	50.6	28.4	4.4	7.8	11.4
59"	81.7	47.2	35.4	3.3	6.7	6.3	81.0	50.0	31.3	4.2	7.6	9.7	80.5	51.4	28.9	4.6	8.1	11.6
60"	82.3	48.0	36.0	3.5	6.9	6.4	81.7	50.9	31.8	4.5	7.9	9.9	81.2	52.3	29.4	4.9	8.3	11.8
61"	83.1	48.8	36.6	3.8	7.2	6.5	82.4	51.7	32.3	4.7	8.1	10.0	81.9	53.2	29.9	5.2	8.6	12.0
62"	83.7	49.6	37.2	4.1	7.5	6.6	83.1	52.6	32.9	5.0	8.4	10.2	82.6	54.0	30.4	5.5	8.9	12.2
63"	84.4	50.4	37.8	4.3	7.7	6.6	83.7	53.4	33.4	5.3	8.7	10.4	83.2	54.9	30.9	5.8	9.2	12.3
64"	85.1	51.2	38.4	4.6	8.0	6.7	84.4	54.3	33.9	5.6	9.0	10.5	83.9	55.8	31.4	6.1	9.5	12.5
65"	85.9	52.0	39.0	4.8	8.2	6.8	85.1	55.1	34.4	5.8	9.3	10.7	84.6	56.7	31.9	6.4	9.8	12.7
66"	86.5	52.8	39.6	5.1	8.5	6.9	85.8	56.0	35.0	6.1	9.5	10.8	85.3	57.5	32.4	6.6	10.0	12.9
67"	87.2	53.6	40.2	5.4	8.8	7.0	86.5	56.8	35.5	6.4	9.8	11.0	85.9	58.4	32.9	6.9	10.4	13.1
68"	87.9	54.4	40.8	5.6	9.0	7.1	87.2	57.7	36.0	6.7	10.1	11.1	86.6	59.3	33.3	7.2	10.6	13.3
69"	88.6	55.2	41.4	5.9	9.3	7.2	87.9	58.5	36.6	7.0	10.4	11.3	87.3	60.1	33.8	7.5	10.9	13.5
70"	89.3	56.0	42.0	6.1	9.6	7.3	88.5	59.4	37.1	7.2	10.7	11.4	88.0	61.0	34.3	7.8	11.2	13.7
71"	90.0	56.8	42.6	6.4	9.8	7.4	89.2	60.2	37.6	7.5	10.9	11.6	88.6	61.9	34.8	8.1	11.5	13.8
72"	90.7	57.6	43.2	6.7	10.1	7.5	89.9	61.1	38.2	7.8	11.2	11.8	89.3	62.8	35.3	8.3	11.6	14.0
73"	91.4	58.4	43.8	6.9	10.4	7.6	90.6	61.9	38.7	8.1	11.5	11.9	90.0	63.6	35.8	8.6	12.0	14.2
74"	92.1	59.2	44.4	7.2	10.6	7.7	91.3	62.8	39.2	8.3	11.8	12.1	90.7	64.5	36.3	8.9	12.3	14.4

Diagonal image size (S)	4:3 XGA						16:10 WXGA						16:9 Widescreen					
	Min. ceiling height*	Image width (w)	Image height (h)	Min. projection distance (a)	Slider scale mark (b)	Distance from top of image to wall plate (c)	Min. ceiling height*	Image width (w)	Image height (h)	Min. projection distance (a)	Slider scale mark (b)	Distance from top of image to wall plate (c)	Min. ceiling height*	Image width (w)	Image height (h)	Min. projection distance (a)	Slider scale mark (b)	Distance from top of image to wall plate (c)
75"	92.8	60.0	45.0	7.4	7.4	7.8	92.0	63.6	39.7	8.6	8.6	12.2	91.4	65.4	36.8	9.2	9.2	14.6
76"	93.5	60.8	45.6	7.7	7.7	7.9	92.6	64.4	40.3	8.9	8.9	12.4	92.0	66.2	37.3	9.5	9.5	14.8
77"	94.2	61.6	46.2	8.0	8.0	8.0	93.3	65.3	40.8	9.2	9.2	12.5	92.7	67.1	37.8	9.8	9.8	15.0
78"	94.9	62.4	46.8	8.2	8.2	8.1	94.0	66.1	41.3	9.5	9.5	12.7	93.4	68.0	38.2	10.1	10.1	15.1
79"	95.6	63.2	47.4	8.5	8.5	8.2	94.7	67.0	41.9	9.7	9.7	12.8	94.1	68.9	38.7	10.3	10.3	15.3
80"	96.3	64.0	48.0	8.8	8.8	8.3	95.4	67.8	42.4	10.0	10.0	13.0	94.7	69.7	39.2	10.6	10.6	15.5
81"	97.0	64.8	48.6	9.0	9.0	8.4	96.1	68.7	42.9	10.3	10.3	13.2	95.4	70.6	39.7	10.9	10.9	15.7
82"	97.7	65.6	49.2	9.3	9.3	8.5	96.8	69.5	43.5	10.6	10.6	13.3	96.1	71.5	40.2	11.2	11.2	15.9
83"	98.4	66.4	49.8	9.5	9.5	8.6	97.4	70.4	44.0	10.8	10.8	13.5	96.8	72.3	40.7	11.5	11.5	16.1
84"	99.1	67.2	50.4	9.8	9.8	8.7	98.1	71.2	44.5	11.1	11.1	13.6	97.5	73.2	41.2	11.8	11.8	16.3
85"	99.8	68.0	51.0	10.1	10.1	8.8	98.8	72.1	45.0	11.4	11.4	13.8	98.1	74.1	41.7	12.1	12.1	16.5
86"	100.5	68.8	51.6	10.3	10.3	8.9	99.5	72.9	45.6	11.7	11.7	13.9	—	—	—	—	—	—
87"	101.2	69.6	52.2	10.6	10.6	9.0	100.2	73.8	46.1	12.0	12.0	14.1	—	—	—	—	—	—
88"	101.9	70.4	52.8	10.9	10.9	9.1	100.9	74.6	46.6	12.2	12.2	14.2	—	—	—	—	—	—
89"	102.6	71.2	53.4	11.1	11.1	9.2	—	—	—	—	—	—	—	—	—	—	—	—
90"	103.3	72.0	54.0	11.4	11.4	9.3	—	—	—	—	—	—	—	—	—	—	—	—
91"	104.0	72.8	54.6	11.6	11.6	9.4	—	—	—	—	—	—	—	—	—	—	—	—
92"	104.6	73.6	55.2	11.9	11.9	9.5	—	—	—	—	—	—	—	—	—	—	—	—
93"	105.3	74.4	55.8	12.2	12.2	9.6	—	—	—	—	—	—	—	—	—	—	—	—

* Based on an image 30 inches from the floor; if the image is lower, the minimum ceiling height is reduced by the corresponding measurement.

Installation Measurements in Millimeters for BrightLink 575Wi+/585Wi+/585Wi+ and PowerLite 575W/585W

Diagonal image size (S)	16:10 WXGA						4:3 XGA						16:9 Widescreen					
	Min. ceiling height*	Image width (w)	Image height (h)	Min. projection distance (a)	Slider scale mark (b)	Distance from top of image to wall to plate (c)	Min. ceiling height*	Image width (w)	Image height (h)	Min. projection distance (a)	Slider scale mark (b)	Distance from top of image to wall to plate (c)	Min. ceiling height*	Image width (w)	Image height (h)	Min. projection distance (a)	Slider scale mark (b)	Distance from top of image to wall to plate (c)
53"	—	—	—	—	—	—	1998	1077	808	62	149	174	—	—	—	—	—	—
54"	—	—	—	—	—	—	2016	1097	823	69	156	177	—	—	—	—	—	—
55"	—	—	—	—	—	—	2034	1118	838	76	163	180	—	—	—	—	—	—
56"	—	—	—	—	—	—	2052	1138	853	83	170	183	—	—	—	—	—	—
57"	—	—	—	—	—	—	2071	1158	869	91	178	186	—	—	—	—	—	—
58"	—	—	—	—	—	—	2089	1179	884	98	185	189	—	—	—	—	—	—
59"	—	—	—	—	—	—	2107	1199	899	105	192	192	1968	1306	735	66	153	217
60"	1998	1292	808	62	149	174	2125	1219	914	112	199	195	1983	1328	747	73	160	220
61"	2014	1314	821	69	156	177	2144	1240	930	119	206	198	1999	1350	760	79	166	223
62"	2030	1335	835	75	162	179	2162	1260	945	126	213	201	2015	1373	772	86	173	227
63"	2046	1357	848	81	168	182	2180	1280	960	133	220	204	2031	1395	785	92	179	230
64"	2063	1379	862	87	174	185	2198	1300	975	140	227	207	2047	1417	797	98	185	234
65"	2078	1400	875	93	180	187	2217	1321	991	147	234	210	2062	1439	809	105	192	237
66"	2094	1422	888	100	187	190	2235	1341	1006	154	241	213	2079	1461	822	111	198	241
67"	2111	1443	902	106	193	193	2253	1361	1021	161	248	216	2094	1483	834	117	204	244
68"	2126	1465	915	112	199	195	2271	1382	1036	168	256	219	2111	1505	847	124	211	248
69"	2143	1486	929	118	205	198	2290	1402	1052	175	262	222	2126	1528	859	130	217	251
70"	2159	1508	942	124	211	201	2308	1422	1067	182	269	225	2142	1550	872	137	224	254
71"	2175	1529	956	131	218	203	2326	1443	1082	189	276	228	2158	1572	884	143	230	258
72"	2191	1551	969	137	224	206	2345	1463	1097	196	283	232	2174	1594	897	149	236	261
73"	2208	1572	983	143	230	209	2364	1483	1113	203	290	235	2190	1616	909	156	243	265
74"	2223	1594	996	149	236	211	2382	1504	1128	210	297	238	2205	1638	921	162	249	268
75"	2240	1615	1010	155	242	214	2400	1524	1143	217	304	241	2222	1660	934	168	256	272
76"	2256	1637	1023	162	248	217	2418	1544	1158	224	311	244	2237	1682	946	175	263	275

Diagonal image size (S)	16:10 WXGA						4:3 XGA						16:9 Widescreen					
	Min. ceiling height**	Image width (w)	Image height (h)	Min. projection distance (a)	Slider scale mark (b)	Distance from top of image to wall plate (c)	Min. ceiling height**	Image width (w)	Image height (h)	Min. projection distance (a)	Slider scale mark (b)	Distance from top of image to wall plate (c)	Min. ceiling height**	Image width (w)	Image height (h)	Min. Projection distance (a)	Slider scale mark (b)	Distance from top of image to wall plate (c)
77"	2272	1659	1037	168	168	219	2436	1565	1173	231	231	247	2253	1705	959	181	181	278
78"	2288	1680	1050	174	174	222	2455	1585	1189	238	238	250	2269	1727	971	188	188	282
79"	2304	1702	1063	180	180	225	2473	1605	1204	245	245	253	2285	1749	984	194	194	285
80"	2320	1723	1077	187	187	227	2491	1626	1219	252	252	256	2301	1771	996	200	200	289
81"	2336	1745	1090	193	193	230	2509	1646	1234	259	259	259	2317	1793	1009	207	207	292
82"	2353	1766	1104	199	199	233	2528	1666	1250	266	266	262	2333	1815	1021	213	213	296
83"	2368	1788	1117	205	205	235	2546	1687	1265	273	273	265	2349	1837	1034	219	219	299
84"	2385	1809	1131	211	211	238	2564	1707	1280	280	280	268	2365	1860	1046	226	226	303
85"	2401	1831	1144	218	218	241	2582	1727	1295	287	287	271	2380	1882	1058	232	232	306
86"	2417	1852	1158	224	224	243	2601	1748	1311	294	294	274	2396	1904	1071	239	239	309
87"	2433	1874	1171	230	230	246	2619	1768	1326	301	301	277	2412	1926	1083	245	245	313
88"	2450	1895	1185	236	236	249	2637	1788	1341	308	308	280	2428	1948	1096	251	251	316
89"	2466	1917	1198	242	242	252	—	—	—	—	—	—	2444	1970	1108	258	258	320
90"	2482	1939	1212	249	249	254	—	—	—	—	—	—	2460	1992	1121	264	264	323
91"	2498	1960	1225	255	255	257	—	—	—	—	—	—	2476	2015	1133	270	270	327
92"	2515	1982	1239	261	261	260	—	—	—	—	—	—	2492	2037	1146	277	277	330
93"	2530	2003	1252	267	267	262	—	—	—	—	—	—	2507	2059	1158	283	283	333
94"	2546	2025	1265	273	273	265	—	—	—	—	—	—	2524	2081	1171	290	290	337
95"	2563	2046	1279	280	280	268	—	—	—	—	—	—	2539	2103	1183	296	296	340
96"	2578	2068	1292	286	286	270	—	—	—	—	—	—	2555	2125	1195	302	302	344
97"	2595	2089	1306	292	292	273	—	—	—	—	—	—	2571	2147	1208	309	309	347
98"	2611	2111	1319	298	298	276	—	—	—	—	—	—	—	—	—	—	—	—
99"	2627	2132	1333	304	304	278	—	—	—	—	—	—	—	—	—	—	—	—
100"	2643	2154	1346	311	311	281	—	—	—	—	—	—	—	—	—	—	—	—

* Based on an image 762 mm from the floor; if the image is lower, the minimum ceiling height is reduced by the corresponding measurement.

Installation Measurements in Millimeters for PowerLite 570/580

Diagonal image size (S)	4:3 XGA						16:10 WXGA						16:9 Widescreen					
	Min. ceiling height*	Image width (w)	Image height (h)	Min. projection distance (a)	Slider scale mark (b)	Distance from top of image to wall plate (c)	Min. ceiling height*	Image width (w)	Image height (h)	Min. projection distance (a)	Slider scale mark (b)	Distance from top of image to wall plate (c)	Min. ceiling height*	Image width (w)	Image height (h)	Min. Projection distance (a)	Slider scale mark (b)	Distance from top of image to wall plate (c)
52"	—	—	—	—	—	—	—	—	—	—	—	—	1925	1151	648	67	154	261
53"	—	—	—	—	—	—	1952	1142	713	64	151	223	1942	1173	660	74	161	266
54"	—	—	—	—	—	—	1970	1163	727	71	158	227	1959	1195	672	81	168	271
55"	—	—	—	—	—	—	1987	1185	740	78	165	231	1976	1218	685	89	176	275
56"	2021	1138	853	63	150	152	2005	1206	754	85	172	235	1993	1240	697	96	183	280
57"	2039	1158	869	69	156	154	2022	1228	767	92	179	239	2011	1262	710	103	190	285
58"	2056	1179	884	76	163	156	2040	1249	781	99	186	243	2028	1284	722	110	197	290
59"	2074	1199	899	83	170	159	2057	1271	794	106	193	247	2045	1306	735	118	205	294
60"	2091	1219	914	89	176	161	2075	1292	808	113	200	251	2062	1328	747	125	212	299
61"	2110	1240	930	96	183	164	2092	1314	821	120	207	255	2080	1350	760	132	219	304
62"	2127	1260	945	103	190	166	2110	1335	835	127	214	259	2097	1373	772	139	226	309
63"	2145	1280	960	109	196	169	2127	1357	848	134	221	263	2114	1395	785	147	234	313
64"	2162	1300	975	116	203	171	2145	1379	862	141	228	267	2131	1417	797	154	241	318
65"	2181	1321	991	122	209	174	2162	1400	875	148	235	271	2148	1439	809	161	248	323
66"	2198	1341	1006	129	216	176	2179	1422	888	155	242	275	2166	1461	822	168	255	328
67"	2216	1361	1021	136	223	179	2197	1443	902	163	250	279	2182	1483	834	176	263	332
68"	2233	1382	1036	142	229	181	2214	1465	915	170	257	283	2200	1505	847	183	270	337
69"	2251	1402	1052	149	236	183	2232	1486	929	177	264	287	2217	1528	859	190	277	342
70"	2269	1422	1067	156	243	186	2249	1508	942	184	271	291	2235	1550	872	197	284	347
71"	2286	1443	1082	162	249	188	2266	1529	956	191	278	294	2251	1572	884	205	292	351
72"	2304	1463	1097	169	256	191	2283	1551	969	198	285	298	2269	1594	897	212	294	356
73"	2322	1483	1113	176	263	193	2301	1572	983	205	292	302	2286	1616	909	219	306	361
74"	2340	1504	1128	182	269	196	2318	1594	996	212	299	306	2303	1638	921	226	313	366

Diagonal image size (S)	4:3 XGA						16:10 WXGA						16:9 Widescreen					
	Min. ceiling height*	Image width (w)	Image height (h)	Min. projection distance (a)	Slider scale mark (b)	Distance from top of image to wall plate (c)	Min. ceiling height*	Image width (w)	Image height (h)	Min. projection distance (a)	Slider scale mark (b)	Distance from top of image to wall plate (c)	Min. ceiling height*	Image width (w)	Image height (h)	Min. Projection distance (a)	Slider scale mark (b)	Distance from top of image to wall plate (c)
75"	2357	1524	1143	189	189	198	2336	1615	1010	219	219	310	2320	1660	934	234	234	370
76"	2375	1544	1158	196	196	201	2353	1637	1023	226	226	314	2337	1682	946	241	241	375
77"	2392	1565	1173	202	202	203	2371	1659	1037	233	233	318	2355	1705	959	248	248	380
78"	2411	1585	1189	209	209	206	2388	1680	1050	240	240	322	2372	1727	971	255	255	385
79"	2428	1605	1204	216	216	208	2405	1702	1063	247	247	326	2389	1749	984	263	263	389
80"	2446	1626	1219	222	222	211	2423	1723	1077	254	254	330	2406	1771	996	270	270	394
81"	2463	1646	1234	229	229	213	2440	1745	1090	261	261	334	2424	1793	1009	277	277	399
82"	2481	1666	1250	236	236	215	2458	1766	1104	268	268	338	2441	1815	1021	284	284	404
83"	2499	1687	1265	242	242	218	2475	1788	1117	275	275	342	2458	1837	1034	292	292	408
84"	2516	1707	1280	249	249	220	2493	1809	1131	282	282	346	2475	1860	1046	299	299	413
85"	2534	1727	1295	256	256	223	2510	1831	1144	289	289	350	2492	1882	1058	306	306	418
86"	2552	1748	1311	262	262	225	2528	1852	1158	297	297	354	—	—	—	—	—	—
87"	2570	1768	1326	269	269	228	2545	1874	1171	304	304	358	—	—	—	—	—	—
88"	2587	1788	1341	275	275	230	2563	1895	1185	311	311	362	—	—	—	—	—	—
89"	2605	1808	1356	282	282	233	—	—	—	—	—	—	—	—	—	—	—	—
90"	2623	1829	1372	289	289	235	—	—	—	—	—	—	—	—	—	—	—	—
91"	2641	1849	1387	295	295	238	—	—	—	—	—	—	—	—	—	—	—	—
92"	2658	1869	1402	302	302	240	—	—	—	—	—	—	—	—	—	—	—	—
93"	2675	1890	1417	309	309	242	—	—	—	—	—	—	—	—	—	—	—	—

* Based on an image 762 mm from the floor; if the image is lower, the minimum ceiling height is reduced by the corresponding measurement.

If you have a pre-existing interactive whiteboard, refer to the table below to identify common models and sizes. If your board is listed here, use the dimensions to reference the installation requirements found on pages 14 to 21.

Interactive whiteboard sizes

Diagonal size	16:10 WXGA	4:3 XGA	16:9 Widescreen
57 inches	—	PolyVision TS410	—
60 inches	—	Hitachi® Cambridge board 60 RM ClassBoard2 60 INTERWRITE BOARD 1060 INTERWRITE Dual board 1260	—
63 inches	—	Hitachi® StarBoard FX-63	—
64 inches	—	SMART Board 660 Promethean ActivBoard 164	—
66 inches	—	TeamBoard RT TMWM5422CL/EM	—
71 inches	—	—	INTERWRITE BOARD 1071
75 inches	PolyVision® eno2650	—	—
77 inches	—	Hitachi Cambridge Board 77 Hitachi StarBoard FX DUO 77 SMART Board 680 SMART BoardX880 INTERWRITE® BOARD 1077 TeamBoard RT TMWM6250CL/EM	INTERWRITE Dual board 1277
77.5 inches	—	RM ClassBoard2 77.5	—
78 inches	PolyVision TS 600/ TS620 / TSL620	PolyVision TS610 Promethean ActivBoard 178 / 378	—
79 inches	—	INTERWRITE Dual Board 1279	—
80 inches	—	—	RM Classboard 85
82 inches	—	—	Hitachi StarBoard FX-82W
85 inches	TeamBoard RT TMWM7450EM	—	INTERWRITE BOARD 1085 INTERWRITE Dual Board 1285
87 inches	SMART Board™ 685 SMART BoardX 885 Promethean ActivBoard 387 Promethean ActivBoard 587 pro	—	—
88 inches	Hitachi StarBoard FX DUO-88W	—	—
89 inches	—	INTERWRITE Dual Board 1289	—
93 inches	—	—	PolyVision ENO 2810
94 inches	—	—	SMART Board 690
95 inches	—	—	INTERWRITE BOARD 1095 INTERWRITE Dual Board 1295 Promethean ActivBoard 395 Promethean ActivBoard 595 pro

5 Installing the Projector



Make sure to follow the steps below to install the wall mount. If you ignore these steps, the wall mount could fall and cause personal injury or property damage.

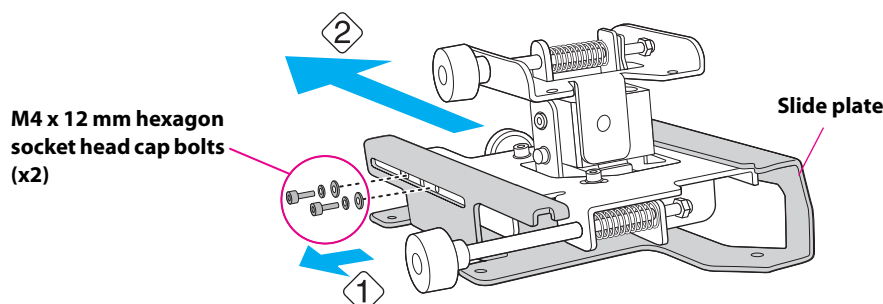
Warning

- ❑ **When you mount the projector on the wall with the wall mount, the wall requires enough strength to hold the projector and the wall mount. This wall mount should be installed on a concrete wall. Confirm the weight of the projector and the wall mount before installation, and maintain the strength of the wall. If the wall is not strong enough, reinforce the wall before installation.**
- ❑ **The maximum combined weight of the projector and the wall mount is 32.6 lb (14.8 kg).**
- ❑ **Do not hang the rest of the cable over the wall mount.**
- ❑ **Install the wall mount so that it can sufficiently support the weight of the projector and wall mount, and resist any horizontal vibration. Use M10 nuts and bolts and make sure to use appropriate wall anchors for your wall type. Nuts and bolts smaller than M10 could cause the wall mount to fall.**
- ❑ **Epson accepts no responsibility for any damage or injury caused by lack of wall strength or inadequate installation.**

1 Disassemble the parts

Remove the slide plate from the 3-axis adjustment unit.

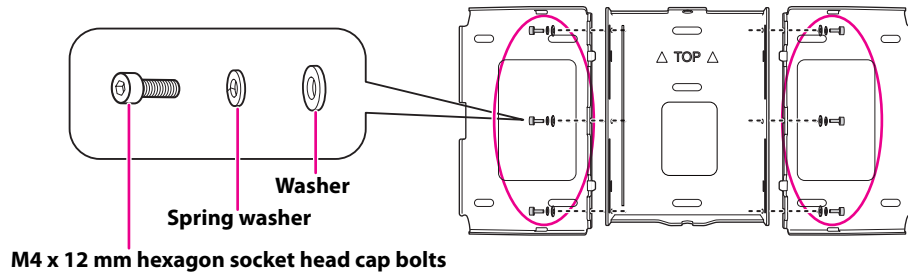
- Remove the M4 x 12 mm hexagon socket head cap bolts (x2) ().
- Remove the slide plate from the 3-axis adjustment unit (.



2 Assemble the parts

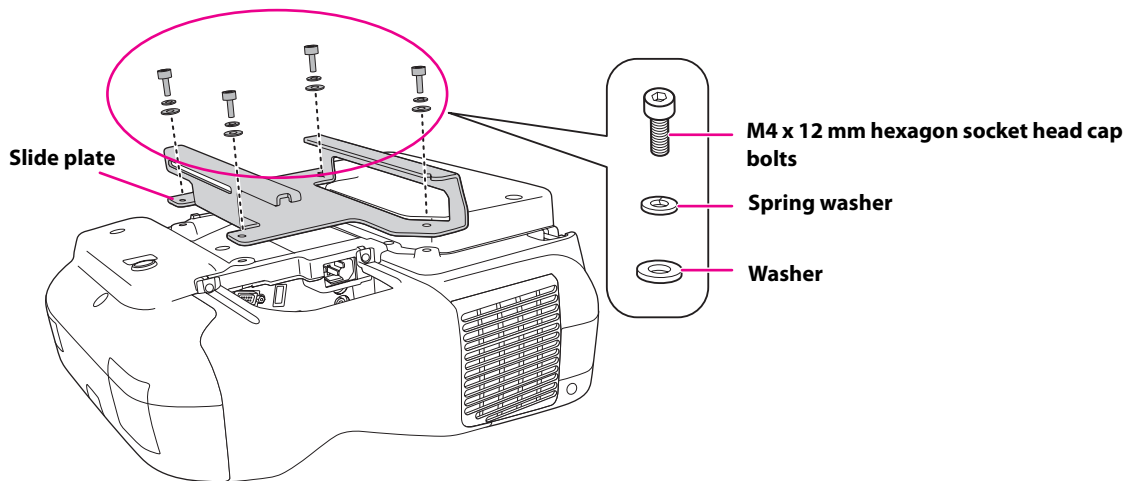
1. Assemble the wall plate.

Assemble the three plates into one unit, and secure them with the M4 x 12 mm hexagon socket head cap bolts (x6) supplied.



2. Attach the slide plate to the projector.

Attach the slide plate to the projector using the M4 x 12 mm hexagon socket head cap bolts (x4) supplied.

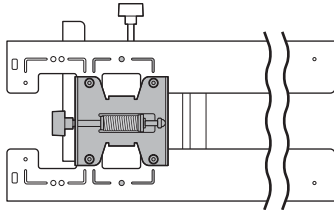


3. Attach the 3-axis adjustment unit to the wall mount.

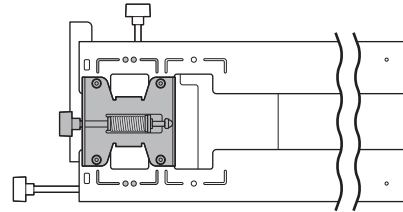
- Decide which position you want to use for installing the 3-axis adjustment unit.

Mount it at the ○ stamp when the image is less than 75 inches (diagonally), or at the ○○ stamp when the projected image is 75 inches or more (diagonally).

○: Less than 75 inches



○○: 75 inches or more

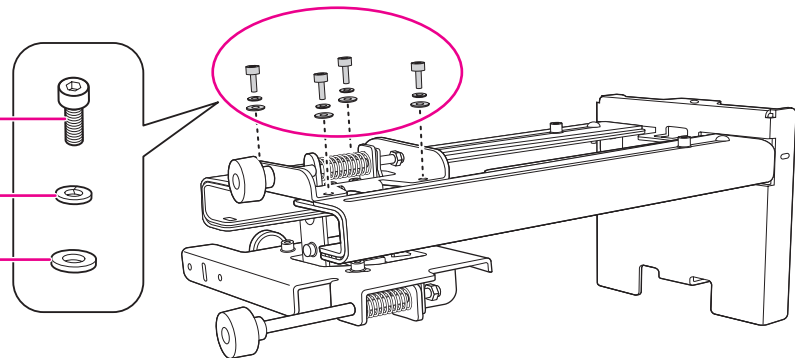


- Tighten the M4 x 12 mm hexagon socket head cap bolts (x4) supplied to install the 3-axis adjustment unit.

M4 x 12 mm hexagon socket head cap bolts

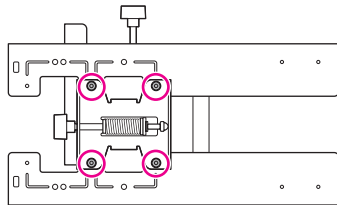
Spring washer

Washer

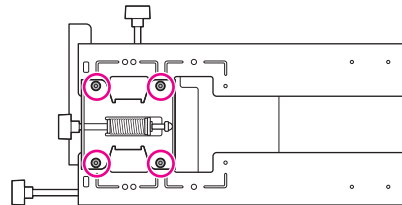


Bolt installation positions

When the diagonal image is less than 75 inches



When the diagonal image is 75 inches or more



3 Install the wall plate on the wall

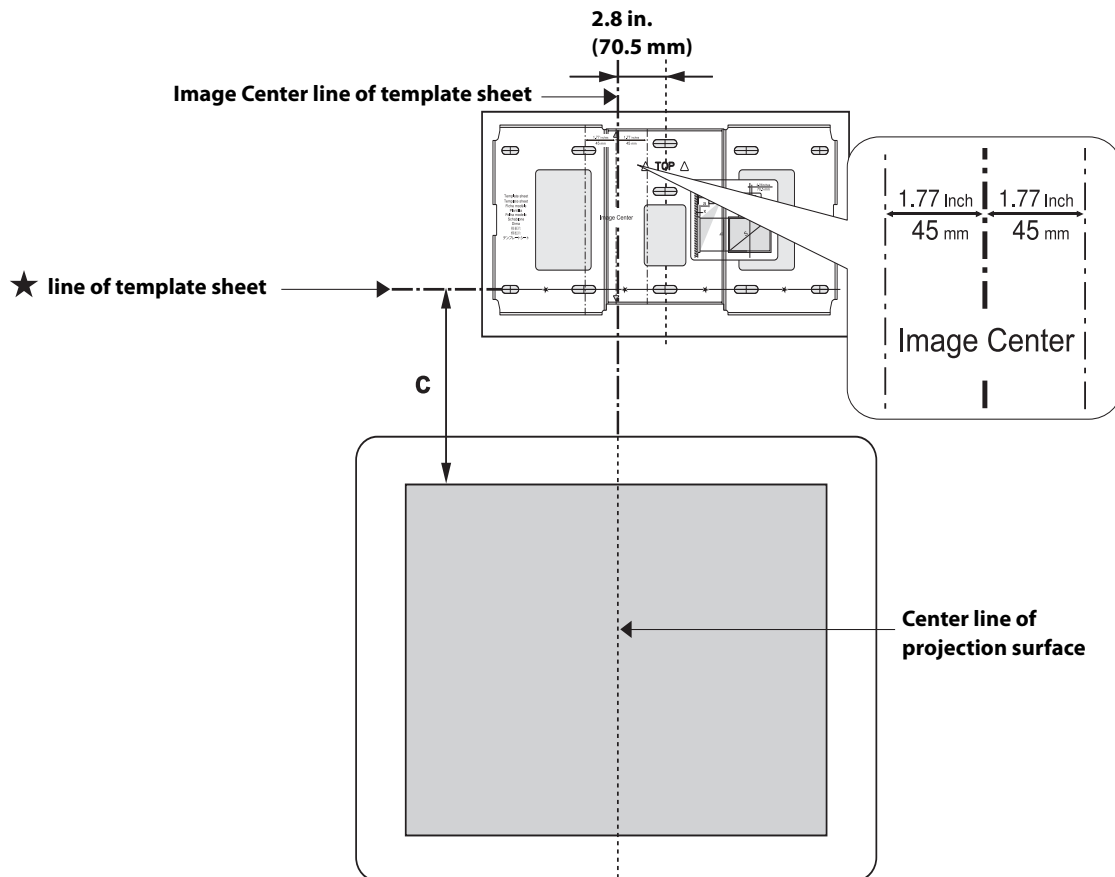
1. Determine the template sheet position.

- From the projection distance table, confirm the screen size (S) and the distance between the projection surface and wall plate (c).
- Align the Image Center line (vertical) of the template sheet with the center line (vertical) of the projection surface.

Confirm where the beams or studs are within the wall, and shift the position of the template left or right as necessary.

The position can be shifted horizontally left or right from the center line of the projection surface up to a maximum of 1.77 in. (45 mm.)

- Align the ★ line (horizontal) on the template with the height of (c).



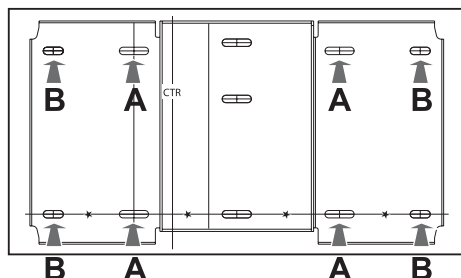
2. Attach the template sheet to the wall.

If you need to install a junction box, you can use the cutout areas in the wall plate for the box. The junction box needs to be recessed into the wall if you want to use the wall plate cover.

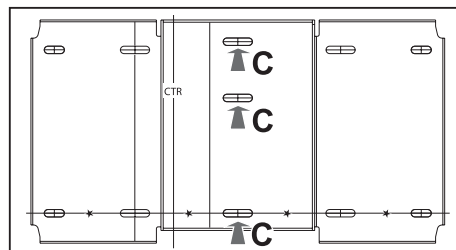
- Determine the position of the wall plate's mounting holes.

Use at least three mounting holes.

- If you are securing the wall plate in four places, drill the holes indicated by A or B in the illustration below.
- If you are securing the wall plate in three places, drill the holes indicated by C in the illustration below.



Four mounting holes

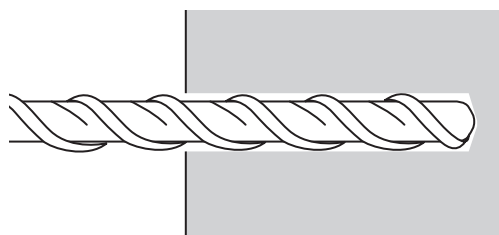


Three mounting holes

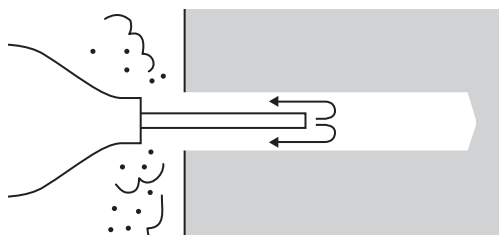
Steps 4 to 8 below provide instructions for attaching the wall plate to a concrete wall.

- Drill holes of the following diameters and depths.

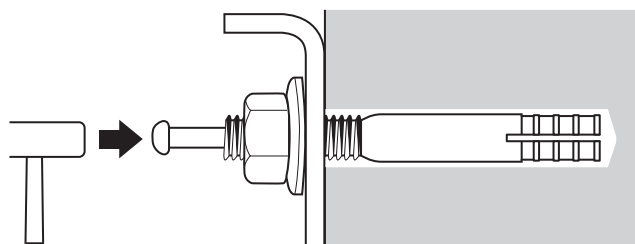
Drill diameter	0.41 in. (10.5 mm)
Pilot hole depth	1.8 in. (45 mm)
Anchor hole depth	1.6 in. (40 mm)



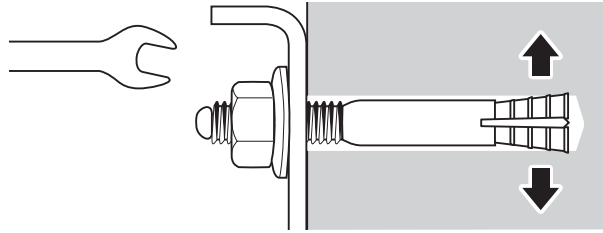
- Remove the template sheet.
- Use a device such as a dust pump to clean out concrete dust from the hole.



- Position the wall plate on the wall and insert M10 x 60 mm expansion anchors into the holes. Attach the nut and tap it with a hammer until the core touches the top of the anchor.



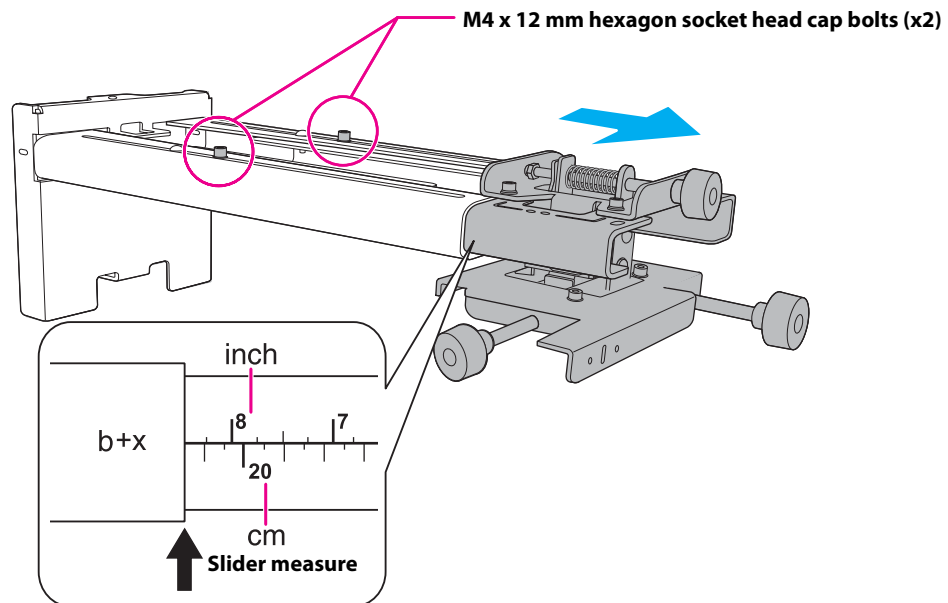
8. Tighten the nut with a wrench to secure the wall plate to the wall.



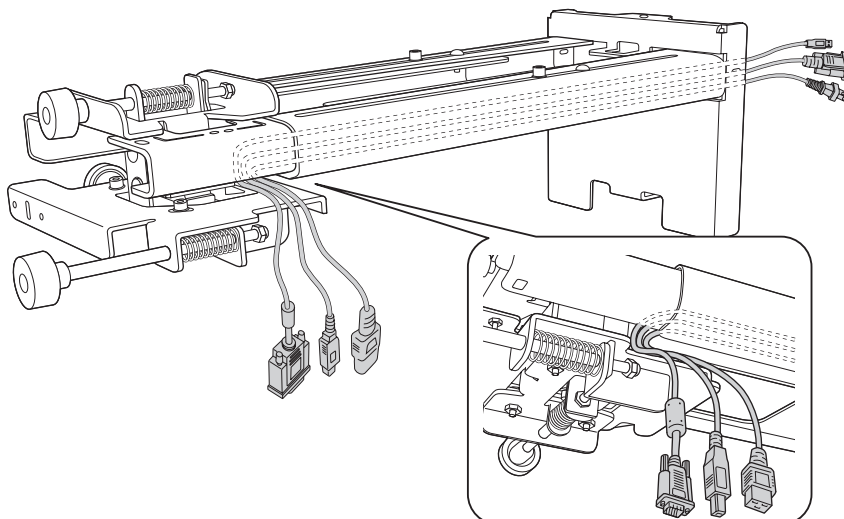
4 Determine the projection distance and pull out the slider

1. Using the tables on pages 14 to 21, check the number for the slider measure (b).
2. Loosen the M4 x 12 mm hexagon socket head cap bolts (x2), and then pull out the slider on the wall mount.

Align the slider with the measure (b+x) that is equal to the slider measure (b) plus the thickness of the projection screen (x).

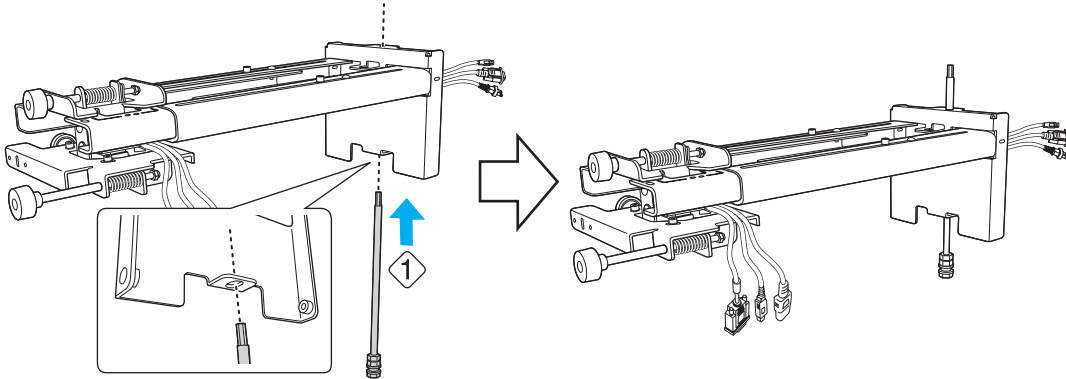


5 Route the cables through the wall mount arm



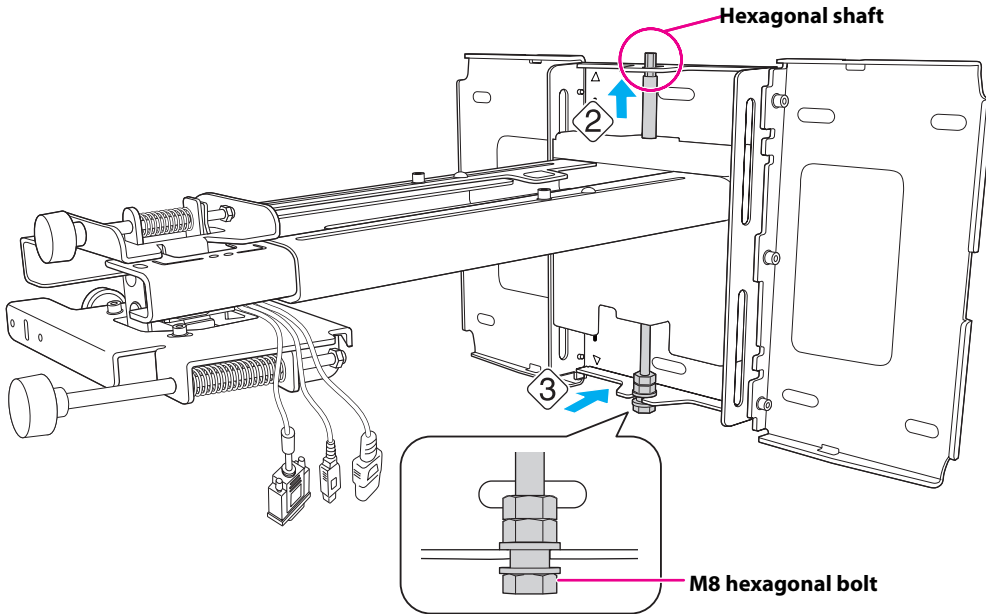
6 Attach the mount arm to the wall plate

1. Insert the hexagonal shaft into the wall mount (1).

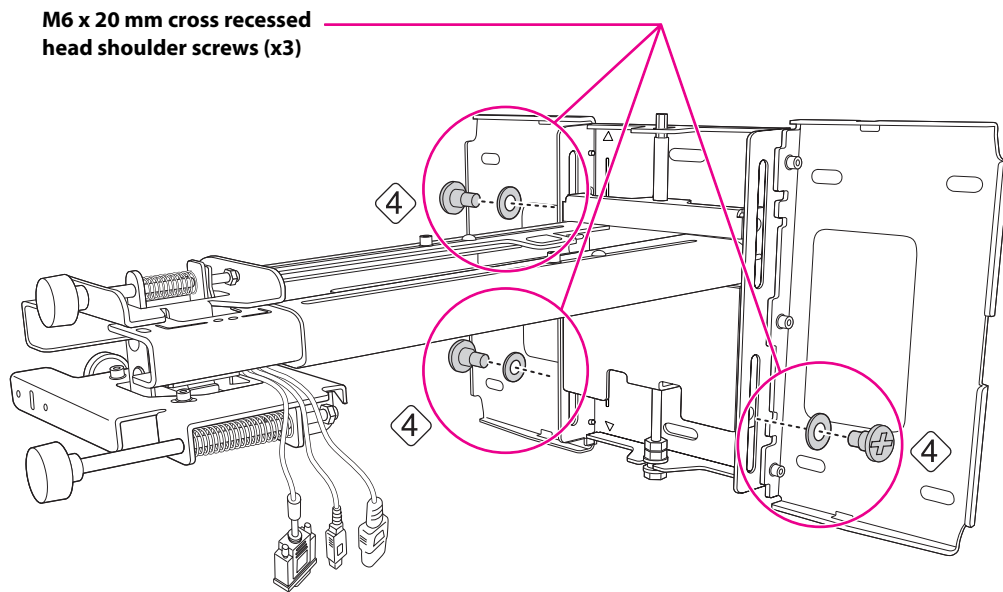


2. Insert and turn the hexagonal shaft at the top of the mount arm into the slot on the wall plate (2).
3. Insert and turn the M8 hexagon bolt at the bottom of the mount arm into the wall plate (3).

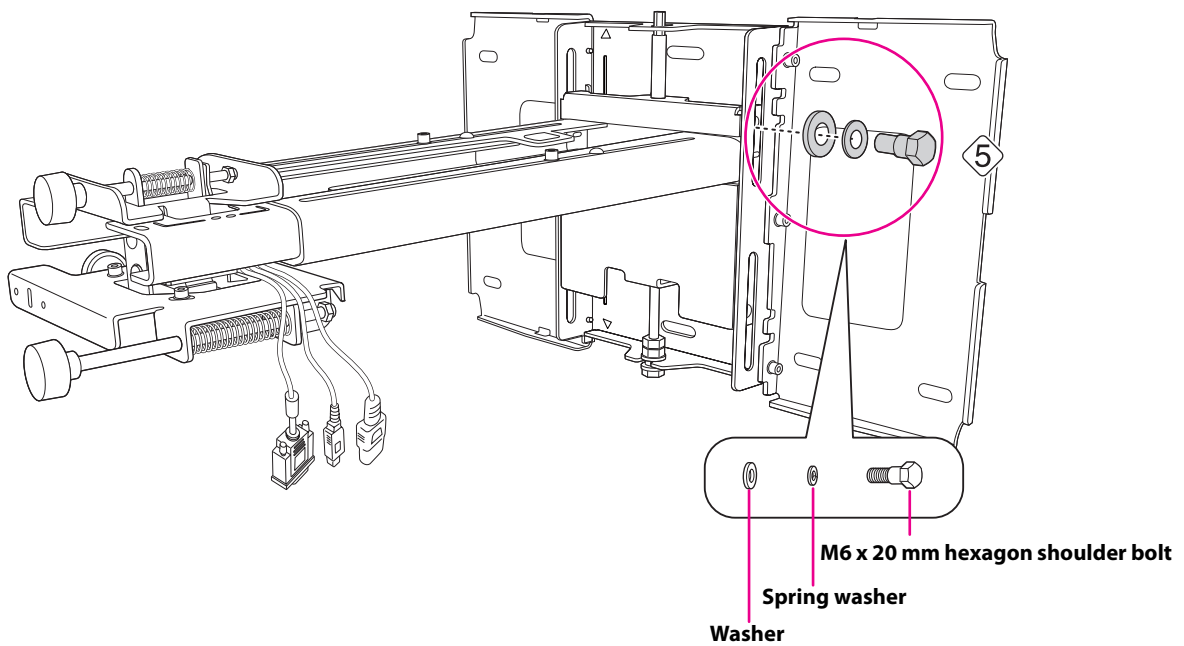
Caution
Take care not to trap the cables between the mount arm and wall plate.



4. Secure the mount arm to the wall plate by tightening the supplied M6 x 20 mm cross recessed head shoulder screws (x3) with the No.3 cross-head screwdriver (4).



5. Loosely tighten the M6 x 20 mm hexagon shoulder bolt supplied (5).

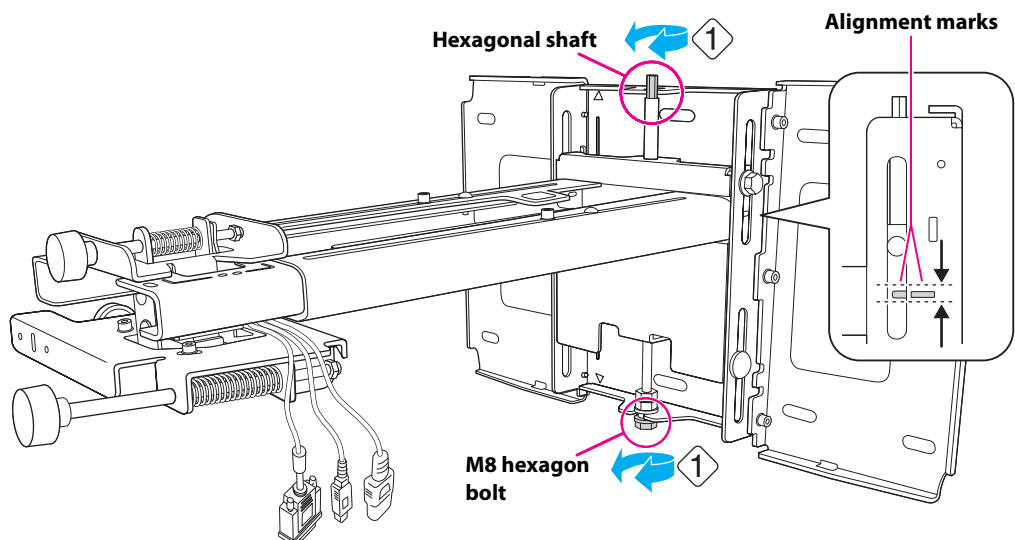


7 Adjust the vertical slide position of the arm

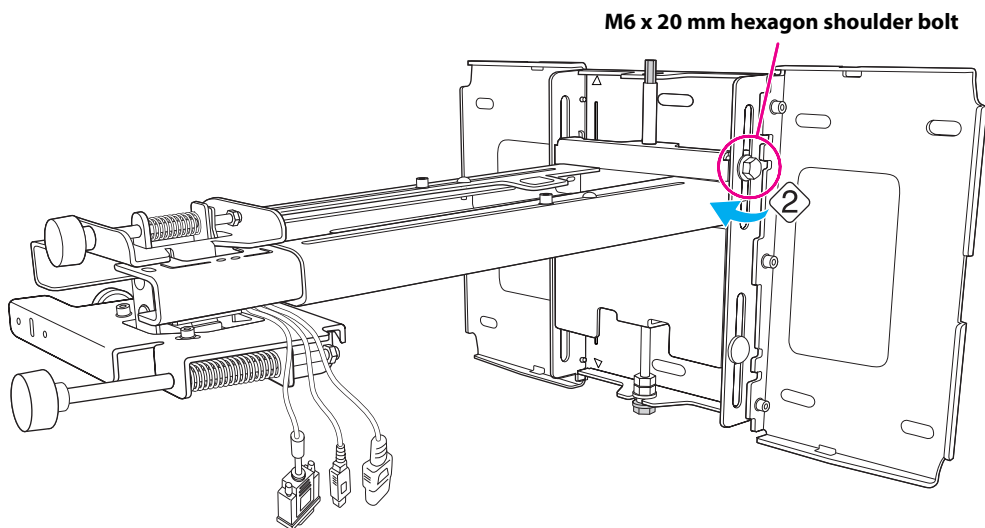
1. Adjust the vertical slide with the M8 hexagon bolt at the bottom of the wall mount, or the hexagonal shaft at the top of the wall mount. (1). Start by aligning the notch on the arm with the stamp on the wall plate as shown below.

Tightening the M8 hexagon bolt lowers the wall mount, and loosening the bolt raises it.

Tightening the hexagonal shaft raises the wall mount, and loosening the shaft lowers it.

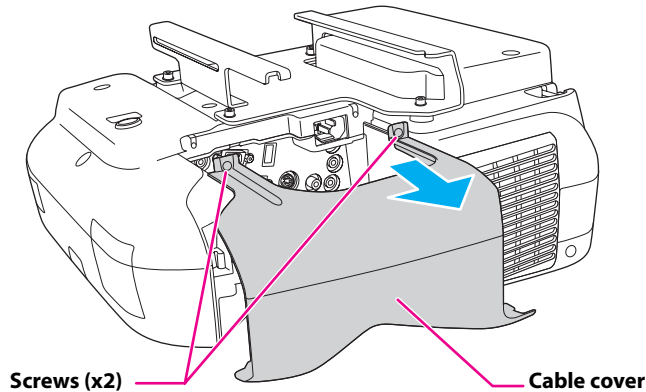


2. Tighten the M6 x 20 mm hexagon shoulder bolt to secure the wall mount (2).

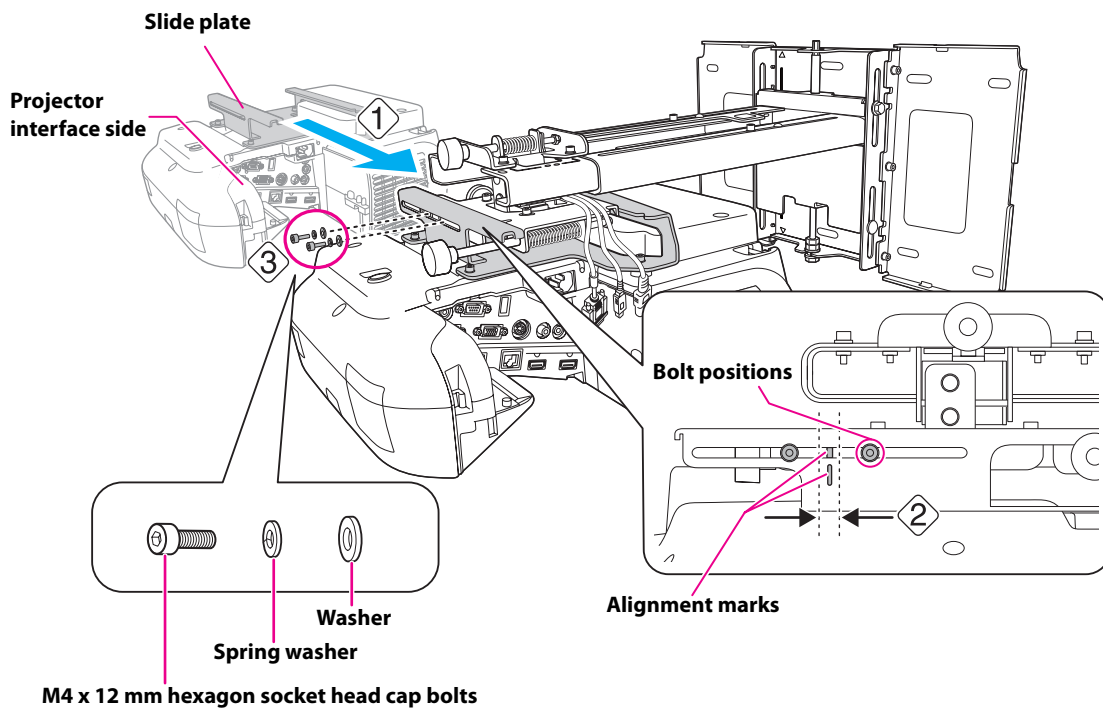


8 Attach the projector to the wall mount

1. Loosen the two screws with a Phillips head screwdriver and remove the cable cover from the projector.



2. Insert the slide plate into the wall mount from the interface side of the projector (1).
Align the 3-axis adjustment unit with the slide plate's alignment mark (2).
3. Tighten the M4 x 12 mm hexagon socket head cap bolts (x2) (3).



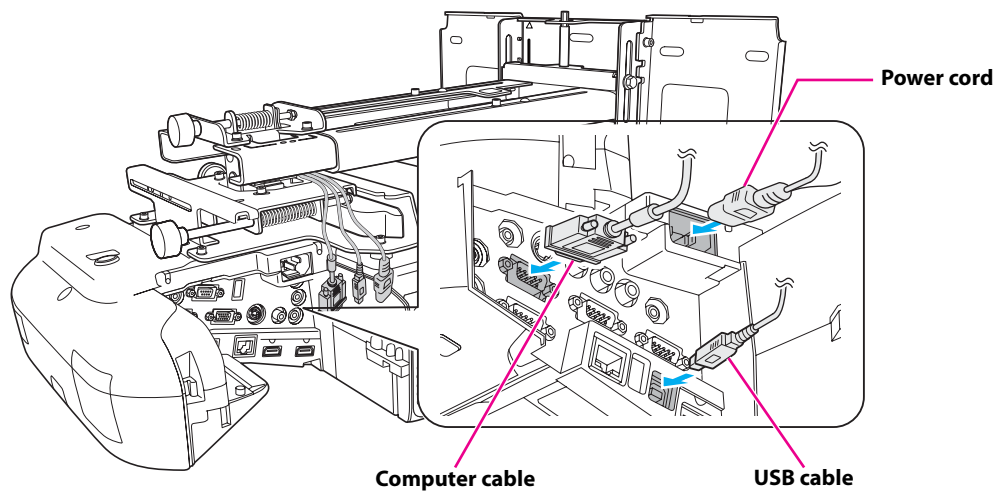
Warning

When installing or adjusting the wall mount, do not use adhesives to prevent the screws from loosening and do not use lubricants or oils on the projector slide plate. This may cause the case to crack and the projector to fall, resulting in personal injury or property damage.

9

Connect the power cord and other cables to the projector

Connect any necessary cables such as the power cord, computer cable, HDMI cable, and USB cable to the projector.



If you are planning to run the cables inside the wall, make sure you follow all local electrical codes. If you are running the cables outside the wall, use a cable management system to keep the cables from obstructing the image. An optional cable management system is available from Epson (part # ELPC01).

6 Adjusting the Image

To ensure the best image quality, follow the steps below to adjust the projected image.



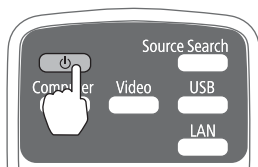
Do not make adjustments with the Quick Corner or Keystone functions of the projector. Doing so may result in a reduction in image quality.

When using the BrightLink 575Wi/585Wi/575Wi+/585Wi+ and PowerLite 570/575W/580/585W, follow these guidelines for setting up the projector:

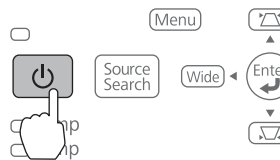
- Make sure the image is evenly rectangular, without distortion.
- Make sure the projector is tilted no more than $\pm 3^\circ$ vertically and horizontally in relation to the projected image.

1 Turn on the projector

Using the Remote Control



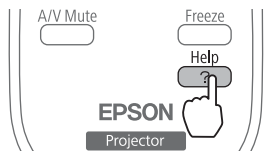
Using the Control Panel



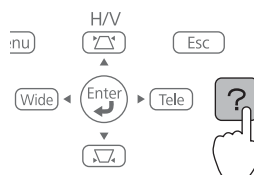
2 Display the test pattern

1. Press the [Help] button.

Using the Remote Control



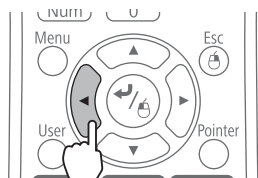
Using the Control Panel



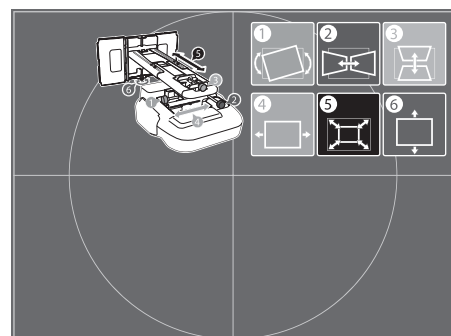
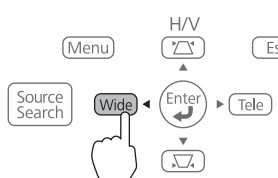
2. Press the [Wide] button on the remote control, or the [Wide] button on the control panel.

The test pattern is displayed.

Using the Remote Control



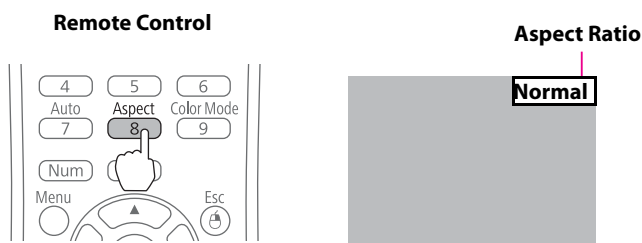
Using the Control Panel



3 Change the aspect ratio if necessary

Each time you press the [Aspect] button on the remote control, the aspect name is displayed on the screen and the aspect ratio changes.

Change the setting according to the signal for the connected equipment.



Alternatively, set the aspect ratio from the Signal menu - Aspect. Following is a list of available aspect settings:

PowerLite 570/580

- **Auto:** Automatically sets the aspect ratio according to the input signal and the **Resolution** setting (available only for HDMI image sources).
- **Normal:** Displays images using the full projection area and maintains the aspect ratio of the image. Choose this setting or **Auto** to automatically resize the image and make the best use of the display area.
- **4:3:** Displays images using the full projection area at 4:3 aspect ratio.
- **16:9:** Converts the aspect ratio of the image to 16:9. 4:3 ratio images are elongated horizontally to fit.

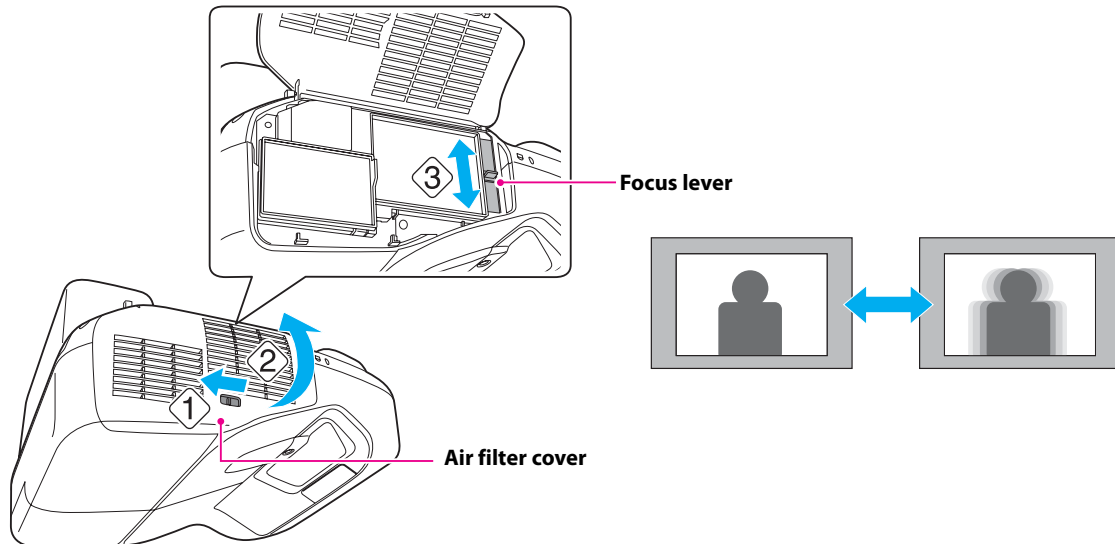
BrightLink 575Wi/585Wi/575Wi+/585Wi+ and PowerLite 575W/585W

- **Auto:** Automatically sets the aspect ratio according to the input signal and the **Resolution** setting (available only for HDMI image sources).
- **Normal:** Displays images using the full projection area and maintains the aspect ratio of the image. Choose this setting or **Auto** to automatically resize the image and make the best use of the display area.
- **16:9:** Converts the aspect ratio of the image to 16:9. 4:3 ratio images are elongated horizontally to fit.
- **Full:** Displays images using the full width of the projection area, but does not retain the aspect ratio. 4:3 ratio images are elongated horizontally.
- **Zoom:** Displays images using the full width of the projection area and maintains the aspect ratio of the image. The image may be cut off on the top and bottom depending on its aspect ratio.
- **Native:** Displays images as is (aspect ratio and resolution are maintained). Black bands may appear or images may be cut off, depending on the resolution.

👉 Projector User's Guide: Signal Menu

4 Adjust the focus

1. Slide the air filter cover switch (1) to open the air filter cover (2).
2. Use the focus lever to adjust the focus (3).



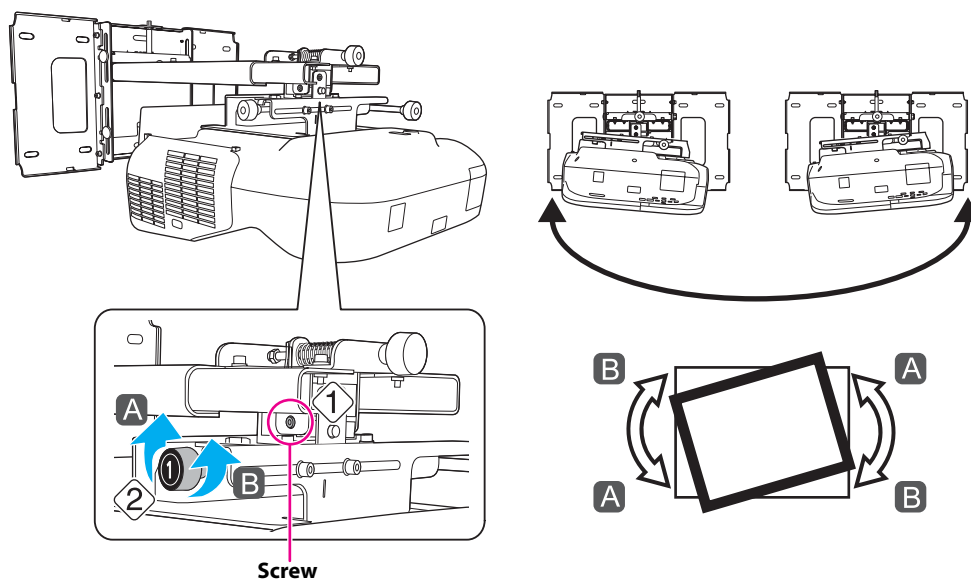
3. After you finish making the adjustment, close the air filter cover.

5 Use the adjustment knob on the left side to adjust the horizontal roll



Repeat steps 5 to 10 as necessary.

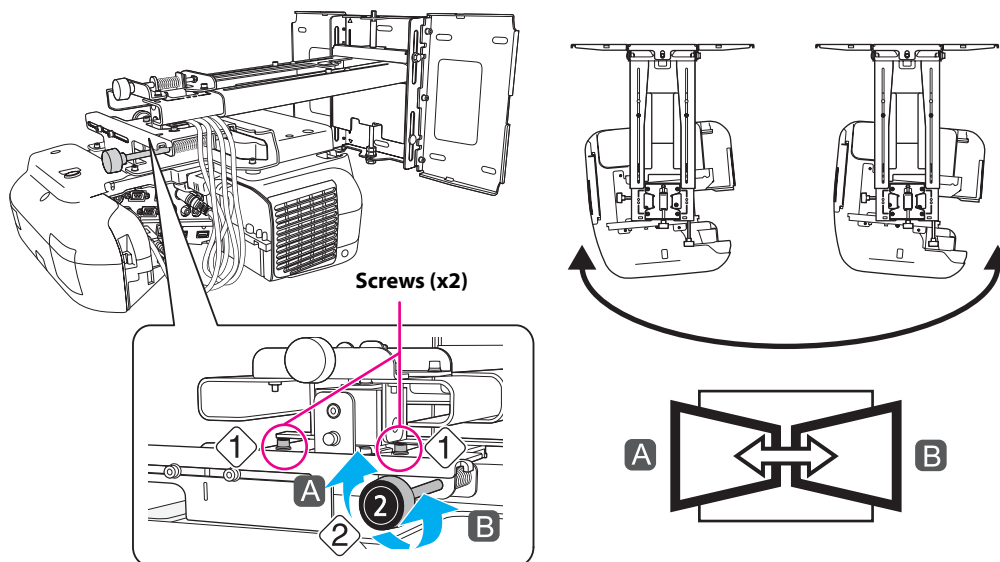
1. Loosen the screw (1) to unlock the adjustment knob.



2. Turn the orange knob (1) to adjust the horizontal roll (2).
3. After you finish making all of the adjustments in steps 5 to 10, tighten the screw you loosened in 1.

6 Use the adjustment knob on the right side to adjust the horizontal rotation

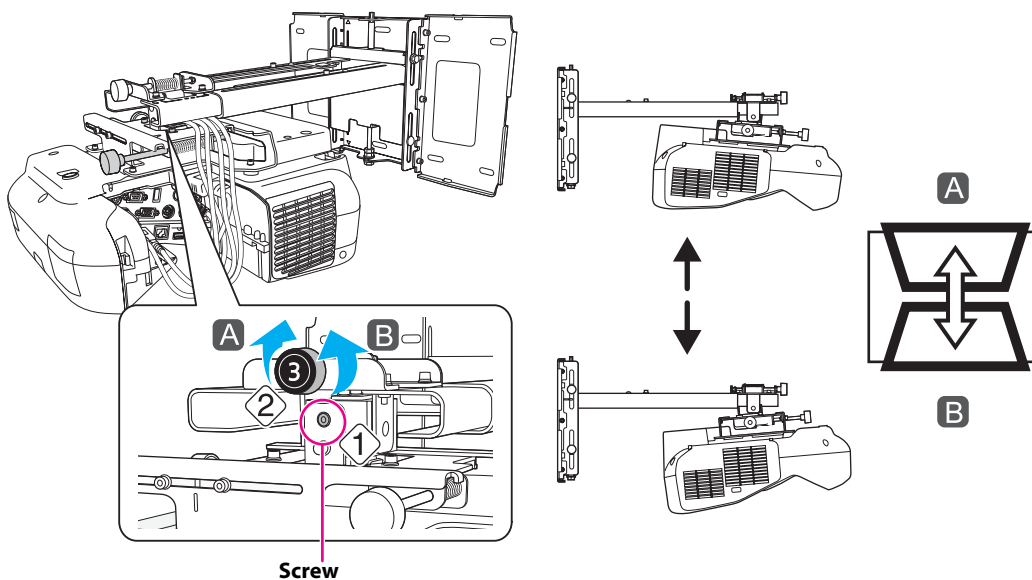
1. Loosen the screws (x2) to unlock the adjustment knob (1).



2. Turn the dark blue knob (2) to adjust the horizontal rotation (2).
3. After you finish making all of the adjustments in steps 5 to 10, tighten the screws (x2) you loosened in 1.

7 Use the adjustment knob on the top to adjust the vertical tilt

1. Loosen the screw (1) to unlock the adjustment knob.

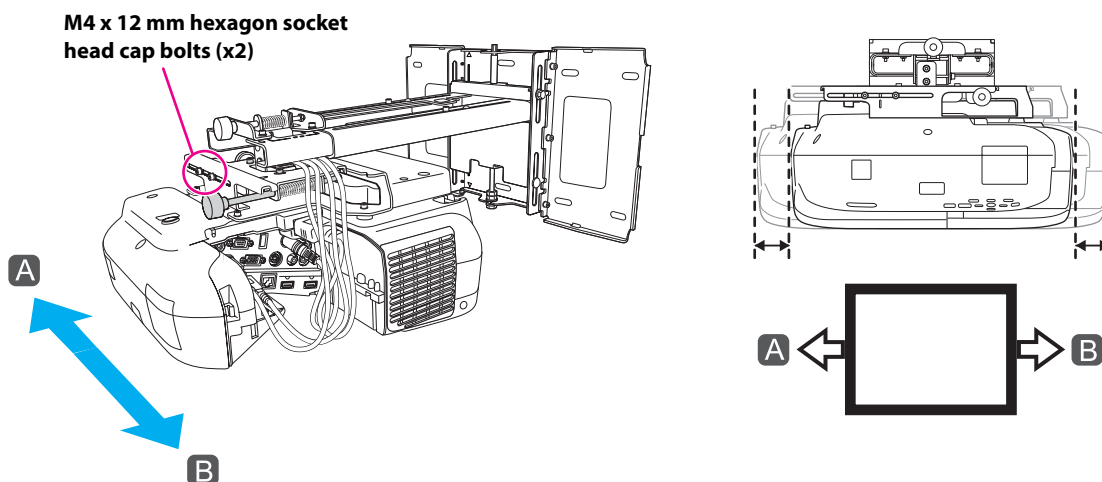


2. Turn the light blue knob (3) to adjust the vertical tilt (2).

- After you finish making all of the adjustments in steps **5** to **10**, tighten the screw you loosened in **1**.

8 Adjust the horizontal slide

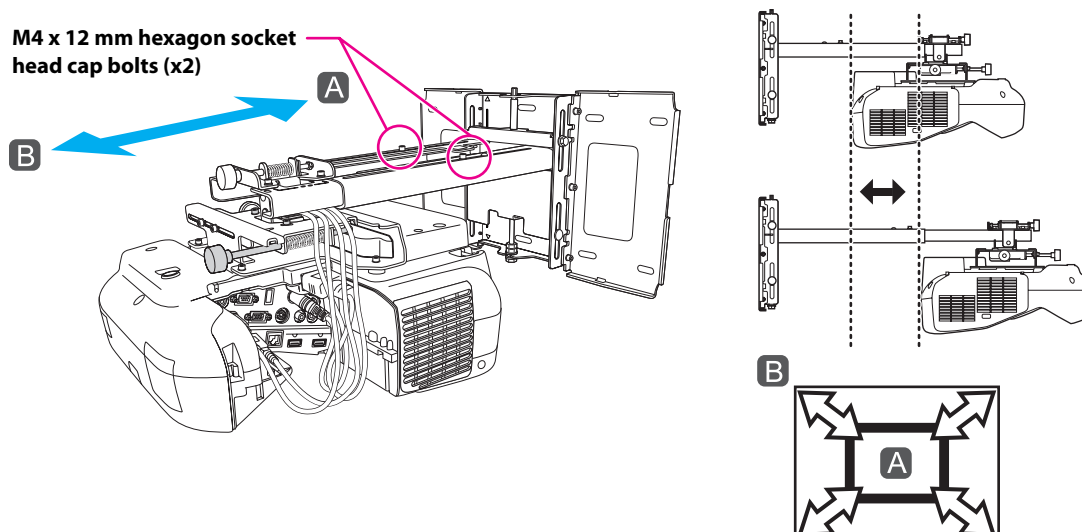
- Loosen the M4 x 12 mm hexagon socket head cap bolts (x2), and then adjust the slider for the slide plate.



- After you finish making all of the adjustments in steps **5** to **10**, tighten the M4 x 12 mm hexagon socket head cap bolts (x2).

9 Adjust the forward/backward slide

- Loosen the M4 x 12 mm hexagon socket head cap bolts (x2), and then adjust the slider for the wall mount.

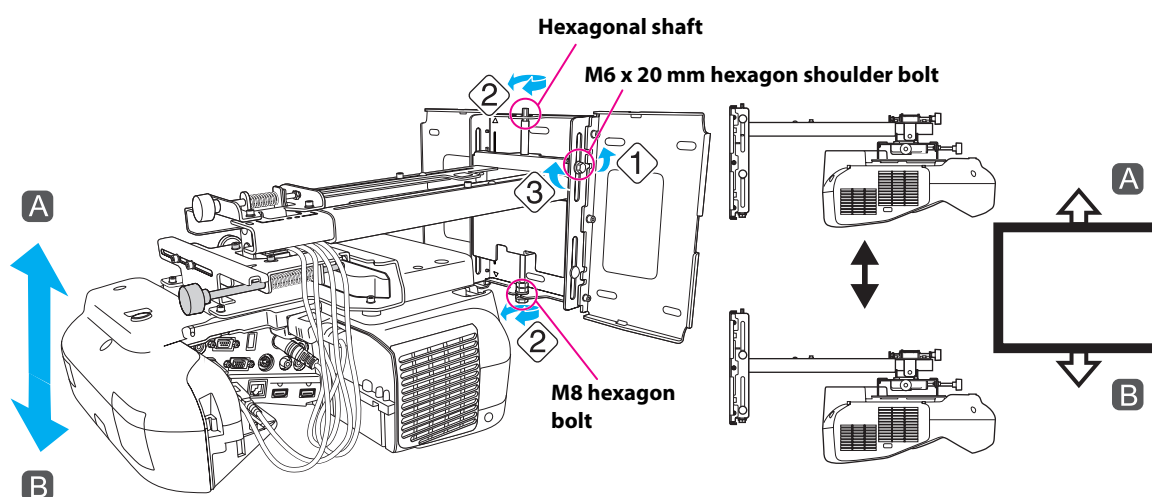


- After you finish making all of the adjustments in steps **5** to **10**, tighten the M4 x 12 mm hexagon socket head cap bolts (x2).

10 Adjust the vertical slide

1. Loosen the M6 x 20 mm hexagon shoulder bolt (①).
2. Adjust the vertical slide with the M8 hexagon bolt at the bottom of the wall mount, or the hexagonal shaft at the top of the wall mount (②).

Tightening the M8 hexagon bolt lowers the wall mount, and loosening the bolt raises it.
Tightening the hexagonal shaft raises the wall mount, and loosening the shaft lowers it.



3. Tighten the M6 x 20 mm hexagon shoulder bolt you loosened in the first step (③).

11 Turn off the display of the test pattern

Press the [Esc] button on the remote control or control panel to turn off the test pattern.



Warning

Tighten all screws firmly. Otherwise, the projector or wall mount may fall and cause personal injury or property damage.

7 Attaching the Covers

1 Attach the wall plate cover and end cap

If you need to use a security cable, make sure you attach it before installing the wall plate cover. See page 42 for instructions.



You can use the included wall plate cover extender to increase the depth of the wall plate cover and accommodate larger cables and plugs.

To add the extender, clip each half of the extender to the wall plate cover pieces before you attach the cover to the mount.

Adding the wall plate cover extender limits the minimum size of the projected image. See page 14 for more information.

1. Attach the wall plate cover (1). Snap the tabs on the cover into the holes on the wall plate. (If you need to remove the cover, press the tabs.)

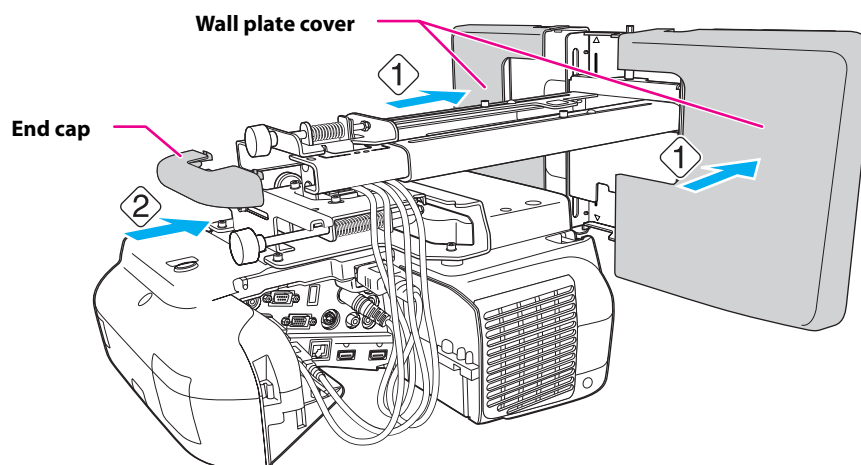


Depending on how the cables are wired, you may need to cut out parts of the wall plate cover to allow the cables to be passed through it.

When cutting the thin section of the wall plate cover and passing the cables through, make sure you perform deburring to smooth off any sharp edges to prevent damaging the cables.

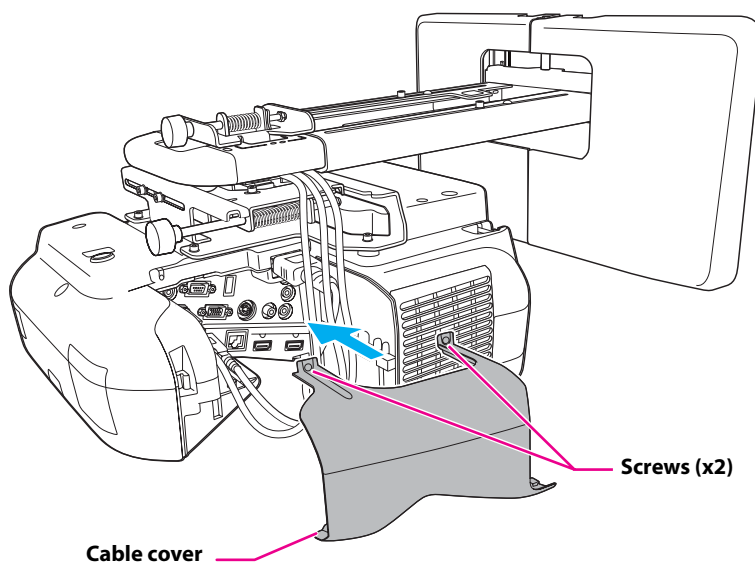
Also, make sure you operate the cutter safely.

2. Place the end cap with the concave portion facing up (2).



2 Attach the cable cover to the projector

Attach the cable cover and use a Phillips head screwdriver to tighten the screws (x2) and secure the cable cover.



Caution

Only a specialist should remove or reinstall the projector, including for maintenance and repairs. Refer to the projector *User's Guide* for instructions on maintenance and repairs.

Warning

- Never loosen the bolts and nuts after installation. If you find any loose screws, tighten them firmly. Otherwise, the projector or wall mount may fall and cause personal injury or property damage.
- Do not hang on the wall mount or hang a heavy object on the wall mount. If the projector or wall mount falls, it could cause personal injury or property damage.

8 Appendix

Using the Easy Interactive Function (BrightLink models only)

After you install a BrightLink model, you need to perform calibration to align the positions of the cursor and interactive pens.

In order to use the Easy Interactive Tools software, you must first install the software on the computer. OS X users also need to install a driver that enables the pen to work. Both software programs are included with the BrightLink projector.

For details, see the online *User's Guide* or visit:

U.S.: epson.com/support/brightlinkdownloads

Canada: epson.ca/support/brightlinkdownloads

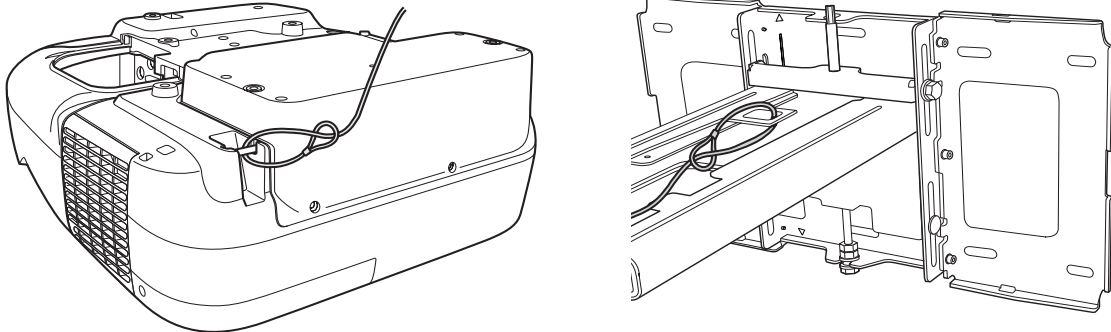
Latin America: global.latin.epson.com/Soporte (website available only in Spanish)

Attaching a Security Cable

If the projector is to be installed in a room where it will be left unattended, you can use a commercially available theft-prevention wire lock to secure the projector to a post or other object to prevent someone from taking it.

Pass the wire for the theft-prevention wire lock through the security cable installation point.

For details on how to lock the wire lock, refer to the *User's Guide* supplied with the wire lock.



After installation of the projector is complete, make sure you leave the remote control, batteries, and CDs in the room with the projector. For BrightLink, also leave the pen(s), batteries, pen tray, and battery charger in the room with the projector.






Consignes de sécurité

Pour votre sécurité, veuillez lire toutes les consignes contenues dans ce guide avant d'utiliser le support de montage mural. Une manipulation incorrecte ne respectant pas ces consignes pourrait endommager le support de montage ou provoquer des blessures corporelles ou des dommages matériels. Conservez ce guide d'installation à portée de main pour pouvoir vous y reporter ultérieurement.







Lisez les consignes de sécurité dans le *Guide de l'utilisateur* de votre projecteur et suivez les instructions figurant dans ce document.

Explication des symboles

Les symboles d'avertissement ci-dessous sont utilisés dans ce guide d'installation afin de vous éviter de vous blesser ou de provoquer des dommages matériels. Assurez-vous de bien avoir compris la signification de ces avertissements lorsque vous lisez ce guide.

 Avertissement	Ce symbole signale des informations qui, si elles sont ignorées, peuvent provoquer des blessures, voire la mort, en raison d'une manipulation incorrecte.
 Mise en garde	Ce symbole indique des informations qui, si elles sont ignorées, peuvent provoquer des blessures ou des dommages physiques, en raison d'une manipulation incorrecte.
	Ce symbole signale des informations connexes ou utiles.
	Symbole indiquant une action à ne pas faire
	Symbole indiquant une action à faire

Consignes de sécurité pour l'installation

 Avertissement	
Le support de montage est conçu exclusivement pour fixer un projecteur à un mur. Si un équipement autre qu'un projecteur est installé, son poids peut endommager le support. La chute du support de montage peut provoquer des blessures corporelles ou des dommages matériels.	
Les travaux d'installation (fixation murale) doivent être effectués par des spécialistes disposant des compétences techniques et du savoir-faire appropriés. Une installation incomplète ou incorrecte peut entraîner la chute du support de montage et provoquer des blessures corporelles ou des dommages matériels.	
Suivez les instructions du présent guide pour installer le support de montage. En cas de non-respect des instructions, le support de montage peut tomber et provoquer des blessures corporelles ou des dommages matériels.	
Manipulez le cordon d'alimentation avec précaution. Une manipulation incorrecte peut provoquer un incendie ou une électrocution. Prenez les précautions suivantes en le manipulant : • Ne saisissez pas la fiche secteur avec des mains humides. • N'utilisez pas un cordon d'alimentation endommagé ou modifié. • Ne tirez pas exagérément sur le cordon lorsque vous le faites passer à travers le support de montage.	
N'installez pas le support de montage à un endroit où il peut être soumis à des vibrations ou des chocs. Des vibrations ou des chocs pourraient endommager le projecteur ou la surface de montage. Vous risqueriez également de provoquer la chute du support de montage ou du projecteur et donc provoquer des blessures corporelles ou des dommages matériels.	

Avertissement

Installez le support de montage de sorte qu'il puisse supporter son poids ainsi que celui du projecteur et résister à toute vibration horizontale. Utilisez des écrous et des boulons M10 et assurez-vous d'utiliser les pattes de fixation murales appropriées pour votre type de mur.



Si vous utilisez des écrous et des boulons de taille inférieure à M10, le support de montage risque de tomber. Epson n'accepte aucune responsabilité pour tout dommage ou toute blessure dus à une solidité du mur insuffisante ou une installation inappropriée.

L'installation doit être exécutée par au moins deux techniciens qualifiés. Si vous devez desserrer des vis pendant l'installation, veillez à ne pas provoquer la chute du support de montage.



La chute du support de montage ou du projecteur peut provoquer des blessures corporelles ou des dommages matériels.

La fixation du projecteur sur un mur à l'aide du support de montage doit être effectuée sur un mur suffisamment solide pour maintenir le support de montage et le projecteur.



Cette plaque d'installation doit être installée sur un mur en béton. Vérifiez donc le poids du projecteur et du support de montage avant l'installation et veillez à la bonne solidité du mur. Si la solidité du mur est insuffisante, renforcez le mur avant de procéder à l'installation.

Inspectez régulièrement le support de montage pour vérifier qu'aucune de ses pièces n'est endommagée ou que des vis ne sont pas desserrées.



Si des pièces sont endommagées, cessez immédiatement d'utiliser le support de montage. La chute du support de montage ou du projecteur peut provoquer des blessures corporelles ou des dommages matériels.

Ne modifiez jamais le support de montage.



Ne suspendez aucun objet au support de montage ni ne posez d'objet lourd sur celui-ci.



La chute du support de montage ou du projecteur peut provoquer des blessures corporelles ou des dommages matériels.

N'utilisez pas d'adhésifs, ni d'huiles ou de lubrifiants pour installer ou régler le support de montage.



Si vous utilisez des adhésifs pour empêcher les vis de se desserrer ou si vous utilisez des lubrifiants ou des huiles sur la partie du projecteur fixée à la plaque coulissante, le boîtier risque de se détériorer, et risque de provoquer la chute du projecteur et des blessures corporelles ou des dommages matériels.

Serrez fermement toutes les vis après tout réglage.



Sinon, le support de montage ou le projecteur pourrait tomber et provoquer des blessures corporelles ou des dommages matériels.

Ne desserrez jamais les écrous et les boulons après l'installation.



Vérifiez régulièrement que les vis ne se sont pas desserrées. Si vous constatez le moindre jeu, resserrez fermement les vis concernées. Sinon, le support de montage ou le projecteur pourrait tomber et provoquer des blessures corporelles ou des dommages matériels.

Lorsque vous effectuez le câblage, assurez-vous que les câbles n'entrent pas en contact avec les vis ou les écrous.



La manipulation incorrecte des câbles peut provoquer un incendie ou un choc électrique.

Mise en garde

N'installez pas le support de montage dans un endroit qui excède la plage de température de fonctionnement du modèle de projecteur. Un tel environnement peut endommager le projecteur.



Installez le support de montage dans un endroit à l'abri de la poussière et de l'humidité pour que l'objectif et les éléments optiques internes ne se salissent pas.



Ne forcez pas de manière excessive lorsque vous réglez le support de montage.










Le support de montage peut être endommagé et provoquer des blessures corporelles.

Emplacement

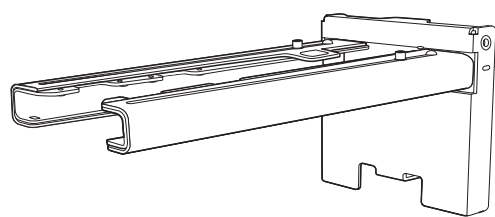
- Avant d'installer le projecteur, vérifiez le câblage de l'alimentation électrique de l'emplacement d'installation.
- Éloignez le projecteur des autres appareils électriques, notamment des éclairages fluorescents ou des climatiseurs. Certains types d'éclairages fluorescents risquent d'interférer avec la télécommande du projecteur.
- Assurez-vous que le projecteur n'est pas directement exposé à la lumière du soleil ou d'autres sources de lumière vive.
- Nous vous recommandons d'utiliser un câble d'ordinateur VGA d'une longueur inférieure à 20 mètres (65 pieds) afin de réduire l'effet de parasites.

À propos de ce guide d'installation

Le présent guide décrit comment installer les projecteurs à ultra courte distance de projection BrightLink 575Wi/585Wi/575Wi+/585Wi+ et PowerLite 570/575W/580/585W sur un mur à l'aide du support de montage Epson inclus.

1	Contenu de l'emballage	 47
2	Spécifications	 48
3	Connexion des appareils	 51
4	Positionnement du projecteur	 52
	<ol style="list-style-type: none">1. Feuille de travail d'installation pour la projection sur un tableau mural préinstallé2. Feuille de travail d'installation pour la projection sur un mur ordinaire3. Mesures d'installation en pouces4. Mesures d'installation en millimètres	
5	Installation du projecteur	 67
	<ol style="list-style-type: none">1. Désassemblez les pièces2. Assemblez les pièces3. Installez la plaque murale sur le mur4. Déterminez la distance de projection et retirez la glissière5. Faire passer les câbles dans le bras du support de montage6. Fixez le bras du support de montage à la plaque murale7. Réglez la position du coulissement vertical du bras8. Fixez le projecteur au support de montage9. Connectez le cordon d'alimentation et les autres câbles au projecteur	
6	Réglage de l'image	 79
	<ol style="list-style-type: none">1. Mettez le projecteur sous tension2. Affichez la mire3. Changez le rapport hauteur/largeur (au besoin)4. Réglez la mise au point5. Utilisez la poignée de réglage sur le côté gauche pour régler le roulis horizontal6. Utilisez la poignée de réglage sur le côté droit pour régler le roulis horizontal7. Utilisez la poignée de réglage dans le haut pour régler l'inclinaison verticale8. Réglez le coulissement horizontal9. Réglez le coulissement vers l'avant/l'arrière10. Réglez le coulissement vertical11. Supprimez l'affichage de la mire	
7	Fixation des caches	 86
	<ol style="list-style-type: none">1. Fixez le cache du support de montage et le capuchon de protection2. Fixez le cache du câble au projecteur	

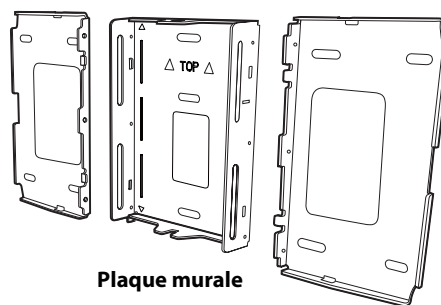
1 Contenu de l'emballage



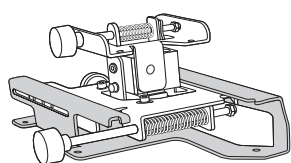
Support de montage



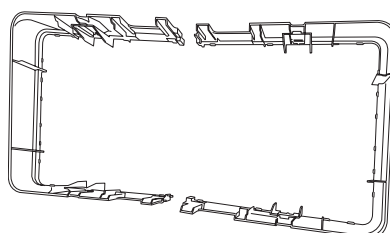
Arbre hexagonal



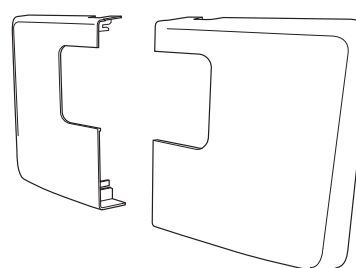
Plaques murales



Dispositif de réglage à 3 axes et plaque coulissante (fixés à la livraison)



Rallonge du capot de la plaque murale



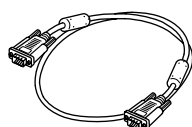
Cache de la plaque murale



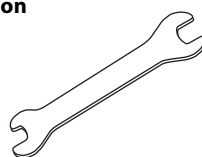
Clé à six pans (pour M4)



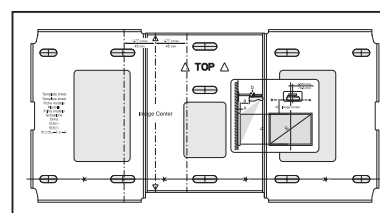
Capuchon de protection



Câble d'ordinateur VGA (peut être inclus avec le projecteur ou le support de montage)



Clé plate
13 mm (pour M8 et M6) x
6 mm (pour arbre hexagonal)



Fiche modèle
(pour l'installation de la plaque murale)

Forme	Nom	Quantité	Application
	Boulon à tête cylindrique à six pans M4 x 12 mm avec rondelle/rondelle élastique	6	Pour l'assemblage de la plaque murale
		4	Pour l'installation du dispositif de réglage à 3 axes/support de montage
		4	Pour l'installation de la plaque coulissante/du projecteur
		2	Pour l'installation de la plaque coulissante/du dispositif de réglage à 3 axes (fixés ensemble à la livraison)
	Boulon à épaulement à six pans M6 x 20 mm avec rondelle/rondelle élastique	1	Pour l'installation du support de montage/plaque murale
	Vis à épaulement à tête à empreinte cruciforme M6 x 20 mm avec rondelle plastique	3	

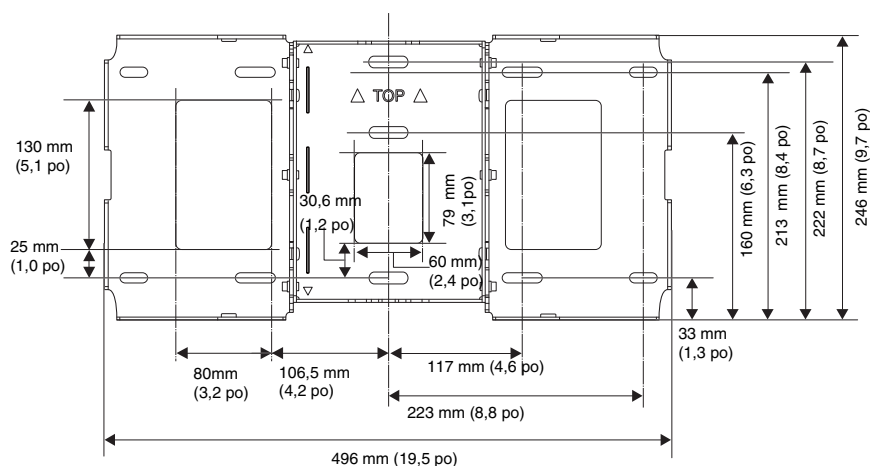
- Utilisez les vis ou les boulons fournis avec le support de montage pour installer ce dernier, comme décrit dans le présent guide. Ne leur substituez pas un autre type de boulons.
- Vous devez aussi utiliser des pattes de fixation M10 x 60 mm disponibles en magasin (au moins 3) pour fixer la plaque murale au mur.
- Rassemblez les outils et les éléments nécessaires avant de commencer l'installation, cela inclut un tournevis cruciforme numéro 3.

2 Spécifications

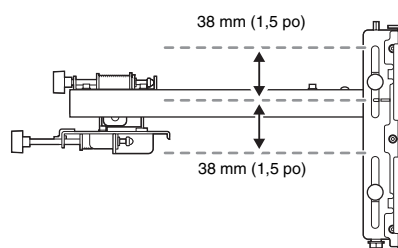
Élément	Spécification	Information supplémentaire	Page de référence
Hauteur du support de montage (incluant le dispositif de réglage à 3 axes, la plaque coulissante, la plaque murale, le cache de la plaque murale, la rallonge du capot de la plaque murale et le bouchon de protection)	Environ 8,4 kg (18,5 lb)	Support de montage : 3,0 kg (6,6 lb) Dispositif de réglage à 3 axes : 1,2 kg (2,6 lb) Plaque coulissante : 0,8 kg (1,8 lb) Plaque murale : 2,7 kg (6,0 lb) Cache de la plaque murale et capuchon de protection : 0,4 kg (0,9 lb) Rallonge du capot de la plaque murale : 0, kg (0,6 lb)	—
Capacité de chargement maximale	7 kg (15,4 lb)	—	—
Plage de réglage du coulisement vertical	38 mm (± 1,5 po)	—	Voir l'illustration ci-dessous
Plage de réglage du coulisement horizontal	45 mm (± 1,8 po)	—	Voir l'illustration à la page suivante
Plage de réglage du coulisement vers l'avant/l'arrière	360 mm (0 à 14,2 po)	Plage de réglage du coulisement du bras : 0 à 273 mm (0 à 10,7 po) Réglage à partir de la position d'installation du dispositif de réglage à 3 axes : 87 mm (3,4 po)	Voir l'illustration à la page suivante
Plage de réglage du roulis horizontal	± 3°	Réglages précis possibles avec la poignée de réglage	81
Plage de réglage de la rotation horizontale	± 8°	Réglages précis possibles avec la poignée de réglage	82
Plage de réglage de l'inclinaison verticale	± 3°	Réglages précis possibles avec la poignée de réglage	83

Plaque murale

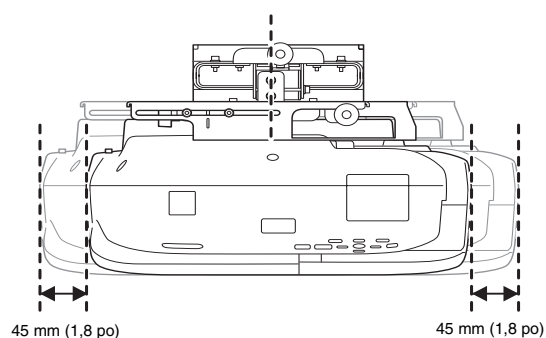
La plaque murale est livrée en trois pièces. Utilisez les boulons M4 x 12 mm (x6) inclus pour fixer les pièces séparées avant le montage du projecteur. Consultez la page 68 pour obtenir les instructions.



Plage de réglage du coulisement vertical

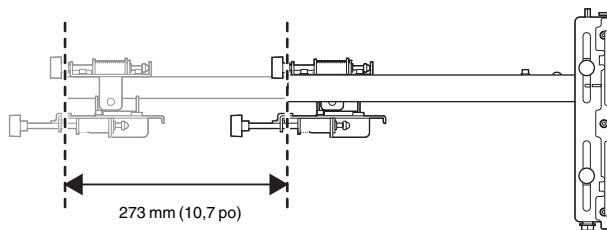


Plage de réglage du coulisement horizontal



Plage de réglage du coulisement vers l'avant/l'arrière

Plage de réglage du coulisement du bras



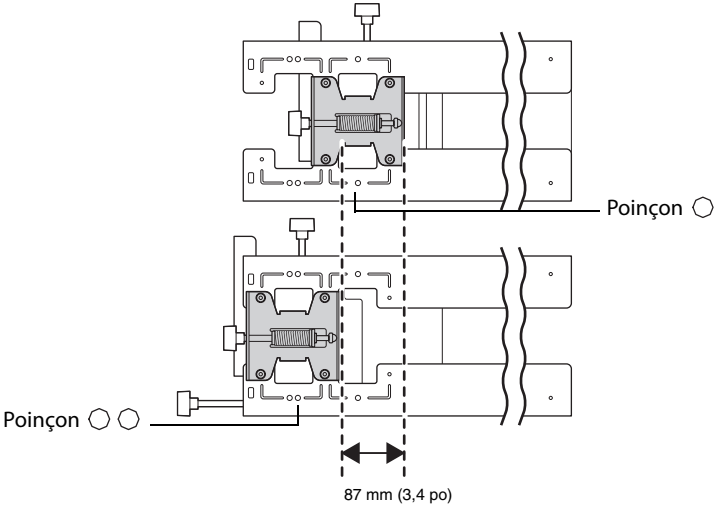
Réglage à partir de la position d'installation du dispositif de réglage à 3 axes

En déplaçant la position d'installation du dispositif de réglage à 3 axes vers l'avant ou l'arrière, vous pouvez régler la position d'installation du projecteur.

Lorsque la taille de l'écran est inférieure à 75 pouces (190,5 cm), installez-le à la position indiquée par le poinçon ○ sur le bras de montage.

Lorsque la taille de l'écran est de 75 pouces (190,5 cm) ou plus, installez-le à la position indiquée par le poinçon ○○ sur le bras de montage.

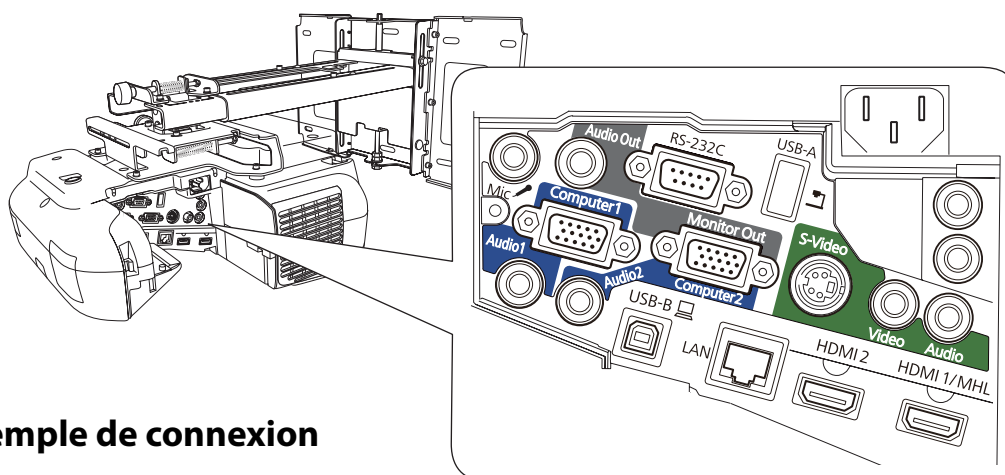
Pour voir le poinçon, vous devez retirer les deux vis placées dans le haut et ensuite, faire glisser la rallonge du bras.



3 Connexion des appareils

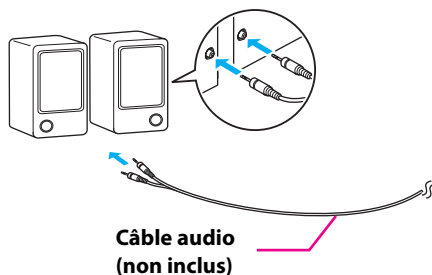
Assurez-vous d'avoir le cordon d'alimentation, le câble d'ordinateur et les autres pièces à l'emplacement d'installation du support de montage.

Assurez-vous aussi d'avoir tous les câbles nécessaires pour tous les appareils, une caméra de documents ou un microphone par exemple, que vous envisagez de connecter au projecteur. Pour obtenir plus de détails, consultez le *Guide de l'utilisateur* en ligne.

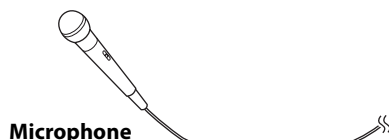
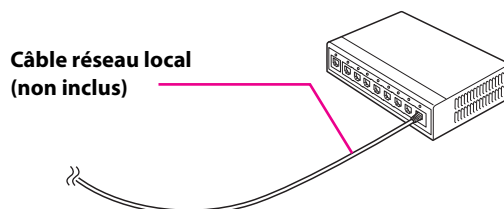


Exemple de connexion

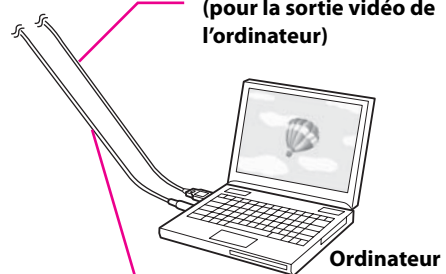
Haut-parleurs externes



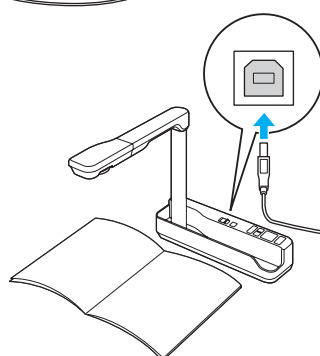
Appareil réseau local



Câble d'ordinateur (pour la sortie vidéo de l'ordinateur)



Caméra de documents (Epson DC-06)



Câble USB (pour la fonction Easy Interactive pour les modèles BrightLink seulement)

Câble USB dédié (fourni avec la caméra de documents)

Pour la fonction interactive (BrightLink 575Wi/585Wi/575Wi+/585Wi+ seulement)

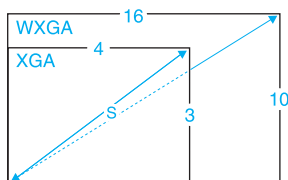
Lorsque vous interagissez avec l'image projetée via une connexion à un ordinateur, un câble USB est nécessaire. Vous n'avez cependant pas besoin d'un câble USB lorsque vous interagissez avec l'image projetée à l'aide de la fonction intégrée du projecteur.

4 Positionnement du projecteur

Les projecteurs BrightLink 575Wi/585Wi/575Wi+/585Wi+ et PowerLite 575W/585W peuvent projeter jusqu'à 100 po (254 cm) diagonalement pour une image WXGA ou 88 po (223,5 cm) diagonalement pour une image XGA. Les projecteurs PowerLite 570/580 peuvent projeter jusqu'à 93 pouces (236,2 cm) diagonalement pour une image XGA. Vous pouvez projeter sur un tableau blanc préinstallé ou directement sur un mur ordinaire. C'est la hauteur du support mural qui détermine la taille d'image maximum et la hauteur à laquelle l'image est projetée sur le mur ou le tableau blanc. La distance entre le mur et le projecteur (une fois qu'il est monté sur le bras réglable du support de montage) influe aussi sur la taille et la position de l'image.

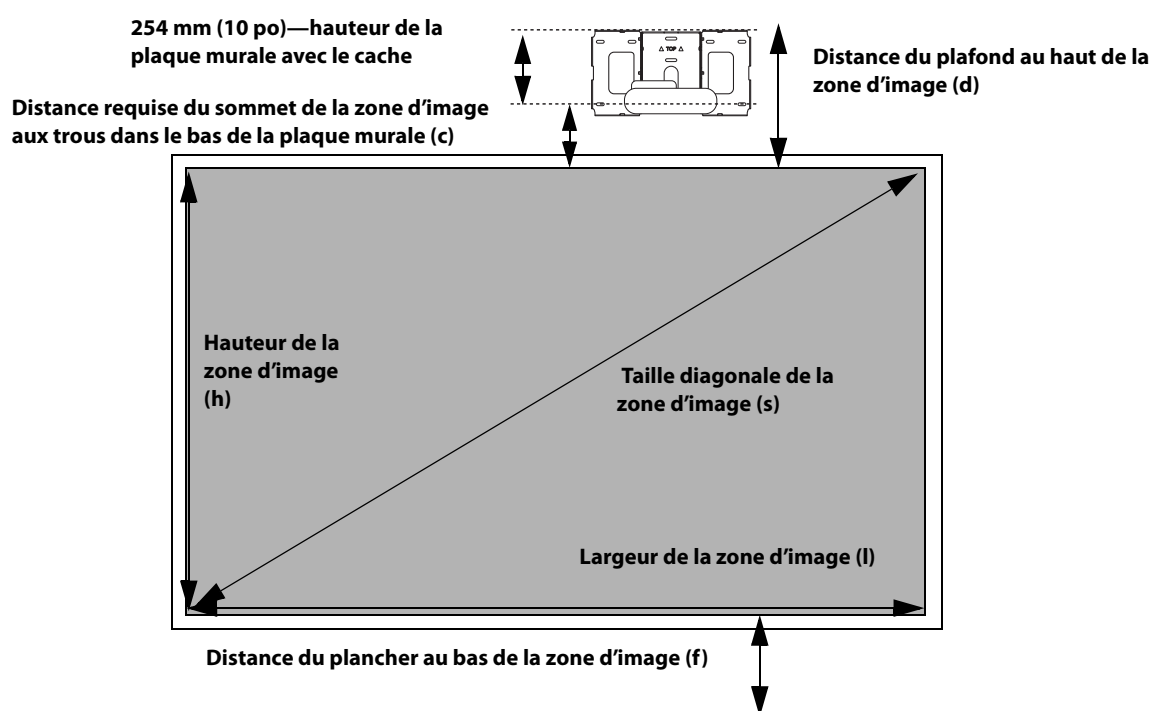
Si vous planifiez de projeter sur un tableau blanc, il est possible que l'image n'occupe pas tout le tableau; tout dépend du rapport hauteur/largeur. Si vous faites correspondre la hauteur de l'image à la hauteur du tableau, il est possible que des espaces apparaissent sur les côtés du tableau.

Utilisez les feuilles de travail suivantes pour déterminer l'emplacement approprié de la plaque murale sur le mur. Si vous projetez sur un tableau blanc préinstallé, utilisez la feuille de travail à la page suivante. Si vous projetez sur un mur ordinaire, utilisez la feuille de travail de la page 54.



Feuille de travail d'installation pour la projection sur un tableau mural préinstallé

1. Mesurez la hauteur du plafond (distance du plancher au plafond). _____
2. Mesurez la hauteur de la zone d'image du tableau (h). _____ (h)
3. Mesurez la largeur de la zone d'image du tableau (l). _____ (l)
4. Mesurez la distance du plancher au bas de la zone d'image du tableau (f). _____ (f)
5. Mesurez la distance du plafond au sommet de la zone d'image du tableau (d). _____ (d)
6. Mesurez l'épaisseur du tableau (la distance de la surface de projection au mur) (x). _____ (x)

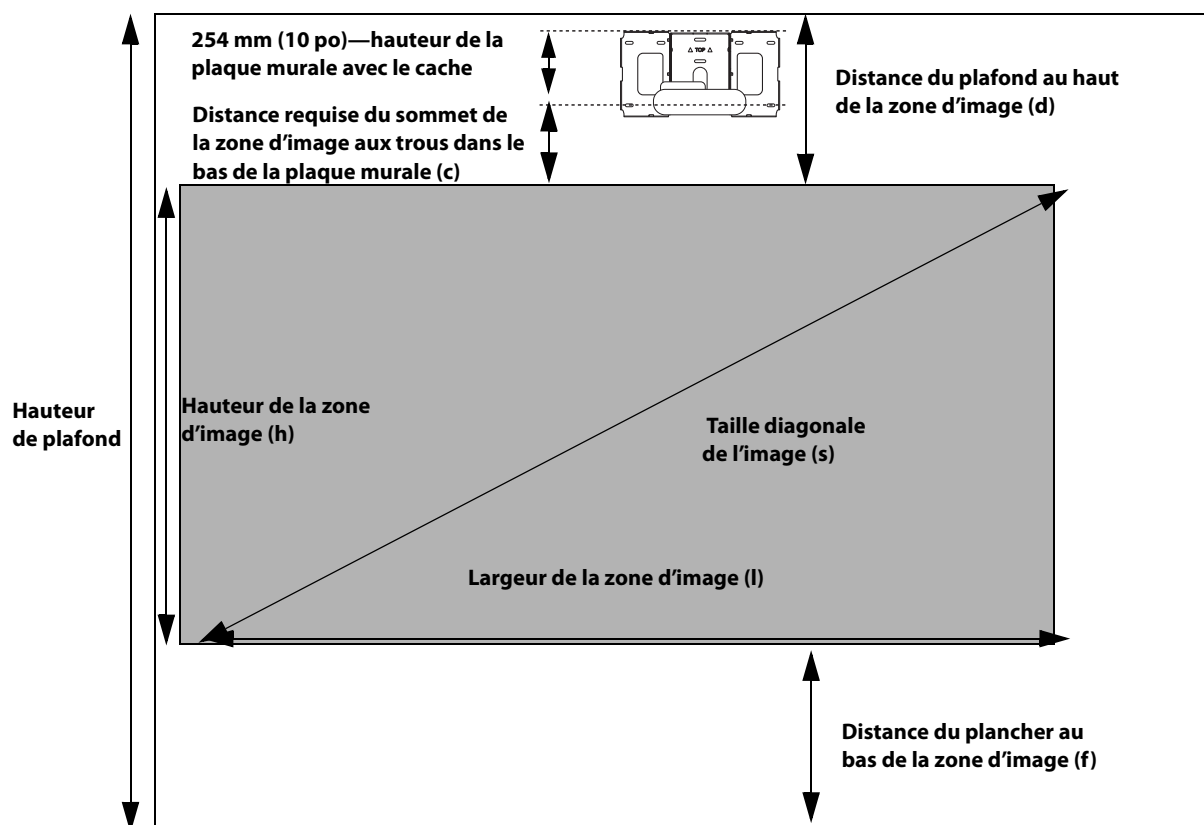


7. Déterminez le rapport hauteur/largeur du tableau ou des images à projeter. Pour de nouveaux ordinateurs ou portatifs, il s'agira probablement de WXGA (16:10). Pour l'équipement plus ancien, il s'agira probablement de XGA (4:3). Il vous faudra peut-être consulter le service des TI pour obtenir cette information.
 ____ 4:3 XGA ____ 16:10 WXGA ____ 16:9 grand écran
8. En utilisant les tableaux des pages 58 à 65 pour votre rapport hauteur/largeur et la hauteur d'image souhaitée (h), trouvez la distance requise entre le sommet de la zone d'image et les trous dans le bas de la plaque murale (c). _____ (c)
9. Déterminez la position pour l'installation de votre projecteur en additionnant les valeurs (f), (h) et (c), en prévoyant 254 mm (10 po) de plus pour la hauteur de la plaque murale et le cache. _____ (f)
 _____ (h)
 _____ (c)
 Si la hauteur du plafond de votre salle (telle que notée à l'étape 1) ne correspond pas à la hauteur de plafond minimum requise pour votre tableau, vous pourriez avoir besoin de sélectionner une taille d'image plus petite ou d'abaisser le tableau sur le mur. +10 po
(254 mm)
 _____ total
10. Après avoir confirmé votre taille d'image, utilisez du ruban ou un crayon pour marquer la distance (c) du sommet de la zone d'image sur le tableau aux trous dans le bas de la plaque murale.

11. Aligned la ligne ★ horizontale sur le gabarit avec la marque (c), puis alignez la ligne centrale du gabarit avec le centre de la zone d'image. Suivez les directives de la page 67 pour installer le projecteur.

Feuille de travail d'installation pour la projection sur un mur ordinaire

1. Mesurez la hauteur du plafond (distance du plancher au plafond). _____
2. Déterminez le rapport hauteur/largeur souhaité de l'image. Pour de nouveaux ordinateurs ou portatifs, il s'agira probablement de WXGA (16:10). Pour l'équipement plus ancien, il s'agira probablement de XGA (4:3). Il vous faudra peut-être consulter votre service des TI pour obtenir cette information.
 ___ 4:3 XGA ___ 16:10 WXGA ___ 16:9 grand écran
3. À l'aide des tableaux des pages 58 à 65 pour votre rapport hauteur/largeur, sélectionnez la taille d'image la plus grande qui soit disponible pour la hauteur de votre plafond. _____ (h)
 Hauteur de l'image (h) _____ (l)
 Largeur de l'image (l)
4. Mesurez la distance souhaitée du plancher au bas de la zone d'image (f). _____ (f)
 La distance minimum recommandée est de 762 mm (30 po). Il se peut que la vue des images apparaissant à moins de 28 pouces du plancher soit obstruée.
5. Trouvez le sommet de la zone d'image projetée en additionnant les distances (f) et (h). _____
6. Utilisez les tableaux des pages 58 à 65 pour déterminer la distance requise du haut de la zone d'image aux trous dans le bas de la plaque murale (b). _____ (c)
7. Additionnez :
 Distance requise du sommet de la zone d'image aux trous dans le bas de la plaque murale (c) _____ (c)
 Hauteur de la zone d'image (h) _____ (h)
 Distance du plancher au bas de la zone d'image (f) _____ (f)
 Hauteur de la plaque murale avec le cache +10 po
 (254 mm)
 Si le total dépasse la hauteur du plancher, il vous faudra réduire la taille d'image ou réduire la distance du plancher au bas de la zone d'image. _____ total



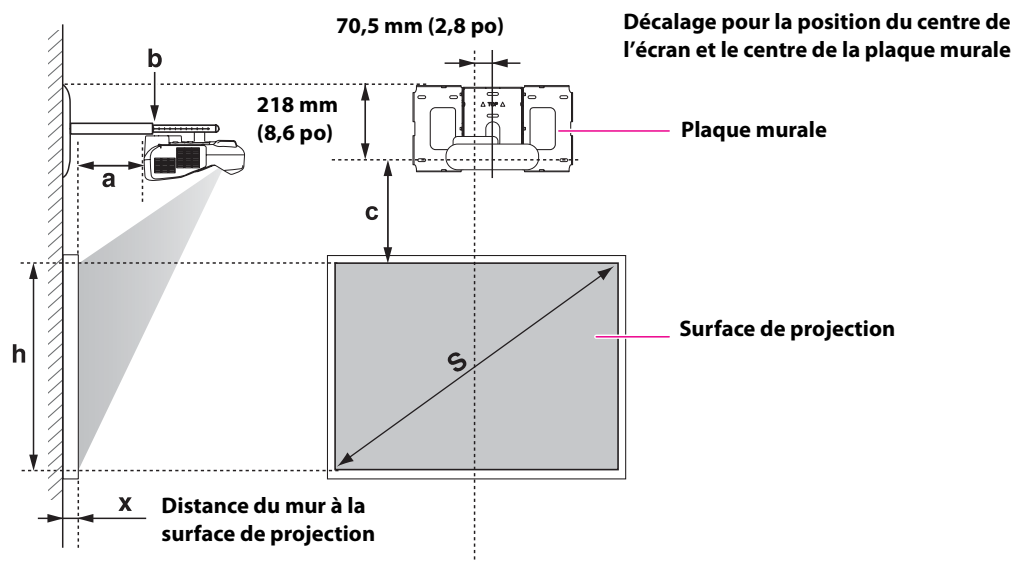
8. Après avoir confirmé votre taille d'image, utilisez du ruban ou un crayon pour marquer la distance (c) du sommet de la zone d'image sur le tableau au bas de la plaque murale.
9. Alignez la ligne ★ horizontale sur le gabarit avec la marque (c), puis alignez la ligne centrale du gabarit avec le centre de la zone d'image. Suivez les directives de la page 67 pour installer le projecteur.

Les tableaux des pages suivantes fournissent des renseignements d'installation pour toutes les tailles d'image prises en charge. La hauteur de plafond minimum est basée sur une image à 762 mm (30 po) du plancher; si l'image est plus basse, la hauteur de plafond minimum est réduite par la mesure correspondante.

Utilisez les feuilles de travail, les illustrations et les renseignements des tableaux aux pages suivantes pour déterminer la distance de projection et le placement de la plaque murale. L'intervalle recommandé pour la distance de projection (a) tel qu'illustré aux pages suivantes est de 62 à 311 mm (2,5 po à 12,2 po).

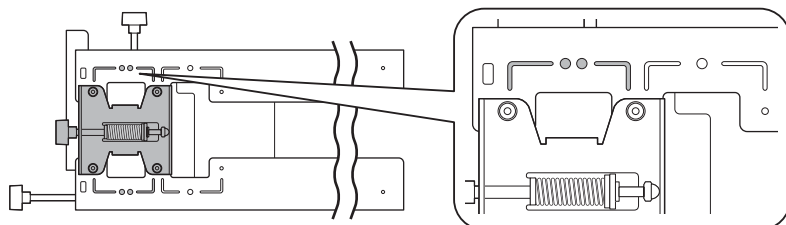
Taille de l'image diagonale et position de montage

Les chiffres sur la mesure de la glissière (b) sont les mêmes que ceux de la distance de projection (a) lorsque la taille de l'image diagonale (S) est de 75 po (190,5 cm) ou plus. Parce que la position d'installation du projecteur change lorsque (S) est moins de 75 po (190,5 cm), les chiffres pour (a) et (b) sont différents.

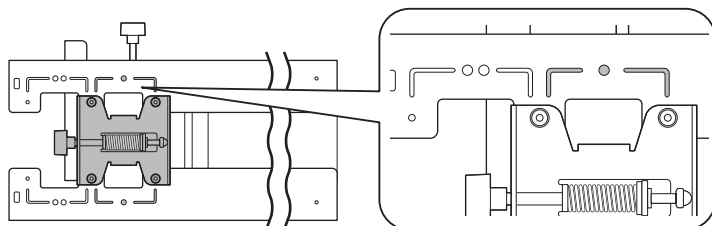


Pour voir le poinçon et les chiffres sur le coulissement de la glissière, vous devez faire glisser la rallonge du bras.

Lorsque la taille de l'image diagonale est de 75 po (190,5 cm) ou plus, montez le dispositif de réglage à 3 axes à la position indiquée avec le poinçon ○○.



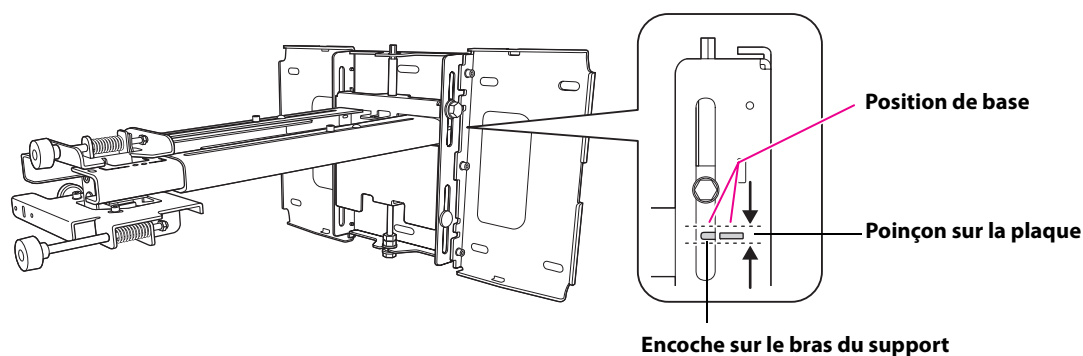
Lorsque la taille de l'image diagonale est de moins de 75 po (190,5 cm), montez le dispositif de réglage à 3 axes à la position indiquée avec le poinçon ○.



Distance de la surface de projection à la plaque murale

La distance (c) entre l'écran de projection et la plaque murale correspond au chiffre indiqué lorsque le coulissement vertical est à la position de base, tel qu'illustré ci-dessous.

Alignez l'encoche sur la plaque d'installation avec la position du poinçon sur la plaque murale.



Les mesures peuvent varier selon l'emplacement choisi pour le projecteur.

Lors d'une projection en mode Télé, la qualité des images projetées peut être réduite.

Lorsque le projecteur BrightLink 575Wi/585Wi/575Wi+/585Wi+ ou PowerLite 575W/585W est utilisé pour projeter des images à un rapport largeur/hauteur 4:3, les images sont automatiquement redimensionnées et la qualité des images projetées peut être réduite.

Mesures d'installation en pouces pour BrightLink 575Wi+/585Wi+/585Wi+ et PowerLite 575W/585W

Taille de l'image diagonale (S)	16:10 WXGA					4:3 XGA					16:9 grand écran							
	Hauteur du plafond min.*	Largeur de l'image (l)	Hauteur de l'image (h)	Dist. de proj. min. (a)	Repères de glissière (b)	Dist. du haut de l'image à la plaque murale (c)	Hauteur du plafond min.*	Largeur de l'image (l)	Hauteur de l'image (h)	Dist. de proj. min. (a)	Repères de glissière (b)	Dist. du haut de l'image à la plaque murale (c)	Hauteur du plafond min.*	Largeur de l'image (l)	Hauteur de l'image (h)	Dist. de proj. min. (a)	Repères de glissière (b)	Dist. du haut de l'image à la plaque murale (c)
53 po	—	—	—	—	—	—	78,7	42,4	31,8	2,5	5,9	6,9	—	—	—	—	—	—
54 po	—	—	—	—	—	—	79,4	43,2	32,4	2,7	6,1	7,0	—	—	—	—	—	—
55 po	—	—	—	—	—	—	80,1	44,0	33,0	3,0	6,4	7,1	—	—	—	—	—	—
56 po	—	—	—	—	—	—	80,8	44,8	33,6	3,3	6,7	7,2	—	—	—	—	—	—
57 po	—	—	—	—	—	—	81,5	45,6	34,2	3,6	7,0	7,3	—	—	—	—	—	—
58 po	—	—	—	—	—	—	82,3	46,4	34,8	3,8	7,3	7,5	—	—	—	—	—	—
59 po	—	—	—	—	—	—	83,0	47,2	35,4	4,1	7,6	7,6	77,5	51,4	28,9	2,6	6,0	8,5
60 po	78,7	50,9	31,8	2,5	5,9	6,9	83,7	48,0	36,0	4,4	7,8	7,7	78,1	52,3	29,4	2,9	6,3	8,7
61 po	79,3	51,7	32,3	2,7	6,1	7,0	84,4	48,8	36,6	4,7	8,1	7,8	78,7	53,2	29,9	3,1	6,5	8,8
62 po	79,9	52,6	32,9	3,0	6,4	7,1	85,1	49,6	37,2	5,0	8,4	7,9	79,3	54,0	30,4	3,4	6,8	8,9
63 po	80,6	53,4	33,4	3,2	6,6	7,2	85,8	50,4	37,8	5,2	8,7	8,0	80,0	54,9	30,9	3,6	7,0	9,1
64 po	81,2	54,3	33,9	3,4	6,9	7,3	86,6	51,2	38,4	5,5	8,9	8,2	80,6	55,8	31,4	3,9	7,3	9,2
65 po	81,8	55,1	34,4	3,7	7,1	7,4	87,3	52,0	39,0	5,8	9,2	8,3	81,2	56,7	31,9	4,1	7,6	9,3
66 po	82,5	56,0	35,0	3,9	7,4	7,5	88,0	52,8	39,6	6,1	9,5	8,4	81,8	57,5	32,4	4,4	7,8	9,5
67 po	83,1	56,8	35,5	4,2	7,6	7,6	88,7	53,6	40,2	6,3	9,8	8,5	82,5	58,4	32,9	4,6	8,0	9,6
68 po	83,7	57,7	36,0	4,4	7,8	7,7	89,4	54,4	40,8	6,6	10,0	8,6	83,1	59,3	33,3	4,9	8,3	9,7
69 po	84,4	58,5	36,6	4,7	8,1	7,8	90,2	55,2	41,4	6,9	10,3	8,8	83,7	60,1	33,8	5,1	8,5	9,9
70 po	85,0	59,4	37,1	4,9	8,3	7,9	90,9	56,0	42,0	7,2	10,6	8,9	84,3	61,0	34,3	5,4	8,8	10,0
71 po	85,6	60,2	37,6	5,1	8,6	8,0	91,6	56,8	42,6	7,4	10,9	9,0	85,0	61,9	34,8	5,6	9,1	10,2
72 po	86,3	61,1	38,2	5,4	8,8	8,1	92,3	57,6	43,2	7,7	11,1	9,1	85,6	62,8	35,3	5,9	9,3	10,3
73 po	86,9	61,9	38,7	5,6	9,1	8,2	93,0	58,4	43,8	8,0	11,4	9,2	86,2	63,6	35,8	6,1	9,6	10,4
74 po	87,5	62,8	39,2	5,9	9,3	8,3	93,8	59,2	44,4	8,3	11,7	9,4	86,8	64,5	36,3	6,4	9,8	10,6
75 po	88,2	63,6	39,7	6,1	6,1	8,4	94,5	60,0	45,0	8,5	8,5	9,5	87,5	65,4	36,8	6,6	6,6	10,7
76 po	88,8	64,4	40,3	6,4	6,4	8,5	95,2	60,8	45,6	8,8	8,8	9,6	88,1	66,2	37,3	6,9	6,9	10,8

Taille de l'image diagonale (S)	16:10 WXGA						4:3 XGA						16:9 grand écran					
	Hauteur du plafond min.*	Largeur de l'image (l)	Hauteur de l'image (h)	Dist. de proj. min. (a)	Repères de glissière (b)	Dist. du haut de l'image à la plaque murale (c)	Hauteur du plafond min.*	Largeur de l'image (l)	Hauteur de l'image (h)	Dist. de proj. min. (a)	Repères de glissière (b)	Dist. du haut de l'image à la plaque murale (c)	Hauteur du plafond min.*	Largeur de l'image (l)	Hauteur de l'image (h)	Dist. de proj. min. (a)	Repères de glissière (b)	Dist. du haut de l'image à la plaque murale (c)
77 po	89,5	65,3	40,8	6,6	6,6	8,6	95,9	61,6	46,2	9,1	9,1	9,7	88,7	67,1	37,8	7,1	7,1	11,0
78 po	90,1	66,1	41,3	6,9	6,9	8,8	96,6	62,4	46,8	9,4	9,4	9,8	89,3	68,0	38,2	7,4	7,4	11,1
79 po	90,7	67,0	41,9	7,1	7,1	8,9	97,4	63,2	47,4	9,7	9,7	10,0	90,0	68,9	38,7	7,6	7,6	11,2
80 po	91,4	67,8	42,4	7,3	7,3	9,0	98,1	64,0	48,0	9,9	9,9	10,1	90,6	69,7	39,2	7,9	7,9	11,4
81 po	92,0	68,7	42,9	7,6	7,6	9,1	98,8	64,8	48,6	10,2	10,2	10,2	91,2	70,6	39,7	8,1	8,1	11,5
82 po	92,6	69,5	43,5	7,8	7,8	9,2	99,5	65,6	49,2	10,5	10,5	10,3	91,8	71,5	40,2	8,4	8,4	11,6
83 po	93,3	70,4	44,0	8,1	8,1	9,3	100,2	66,4	49,8	10,8	10,8	10,4	92,5	72,3	40,7	8,6	8,6	11,8
84 po	93,9	71,2	44,5	8,3	8,3	9,4	100,9	67,2	50,4	11,0	11,0	10,5	93,1	73,2	41,2	8,9	8,9	11,9
85 po	94,5	72,1	45,0	8,6	8,6	9,5	101,7	68,0	51,0	11,3	11,3	10,7	93,7	74,1	41,7	9,1	9,1	12,0
86 po	95,2	72,9	45,6	8,8	8,8	9,6	102,4	68,8	51,6	11,6	11,6	10,8	94,3	75,0	42,2	9,4	9,4	12,2
87 po	95,8	73,8	46,1	9,1	9,1	9,7	103,1	69,6	52,2	11,9	11,9	10,9	95,0	75,8	42,7	9,6	9,6	12,3
88 po	96,4	74,6	46,6	9,3	9,3	9,8	103,8	70,4	52,8	12,1	12,1	11,0	95,6	76,7	43,1	9,9	9,9	12,5
89 po	97,1	75,5	47,2	9,5	9,5	9,9	—	—	—	—	—	—	96,2	77,6	43,6	10,2	10,2	12,6
90 po	97,7	76,3	47,7	9,6	9,6	10,0	—	—	—	—	—	—	96,8	78,4	44,1	10,4	10,4	12,7
91 po	98,3	77,2	48,2	10,0	10,0	10,1	—	—	—	—	—	—	97,5	79,3	44,6	10,7	10,7	12,9
92 po	99,0	78,0	48,8	10,3	10,3	10,2	—	—	—	—	—	—	98,1	80,2	45,1	10,9	10,9	13,0
93 po	99,6	78,9	49,3	10,5	10,5	10,3	—	—	—	—	—	—	98,7	81,1	45,6	11,2	11,2	13,1
94 po	100,3	79,7	49,8	10,8	10,8	10,4	—	—	—	—	—	—	99,3	81,9	46,1	11,4	11,4	13,3
95 po	100,9	80,6	50,3	11,0	11,0	10,5	—	—	—	—	—	—	100,0	82,8	46,6	11,7	11,7	13,4
96 po	101,5	81,4	50,9	11,3	11,3	10,6	—	—	—	—	—	—	100,6	83,7	47,1	11,9	11,9	13,5
97 po	102,2	82,3	51,4	11,5	11,5	10,7	—	—	—	—	—	—	101,2	84,5	47,6	12,2	12,2	13,7
98 po	102,8	83,1	51,9	11,7	11,7	10,9	—	—	—	—	—	—	—	—	—	—	—	—
99 po	103,4	84,0	52,5	12,0	12,0	11,0	—	—	—	—	—	—	—	—	—	—	—	—
100 po	104,1	84,8	53,0	12,2	12,2	11,1	—	—	—	—	—	—	—	—	—	—	—	—

* Basée sur une image à 762 mm (30 po) du plancher; si l'image est plus basse, la hauteur de plafond minimum est réduite par la mesure correspondante.

Mesures d'installation en pouces pour les projecteurs PowerLite 570/580

Taille de l'image diagonale (S)	4:3 XGA						16:10 WXGA						16:9 grand écran					
	Hauteur du plafond min.*	Largeur de l'image (l)	Hauteur de l'image (h)	Dist. de proj. min. (a)	Repères de glissière (b)	Dist. du haut de l'image à la plaque murale (c)	Hauteur du plafond min.*	Largeur de l'image (l)	Hauteur de l'image (h)	Dist. de proj. min. (a)	Repères de glissière (b)	Dist. du haut de l'image à la plaque murale (c)	Hauteur du plafond min.*	Largeur de l'image (l)	Hauteur de l'image (h)	Dist. de proj. min. (a)	Repères de glissière (b)	Dist. du haut de l'image à la plaque murale (c)
	52 po	—	—	—	—	—	—	—	—	—	—	—	—	75,8	45,3	25,5	2,6	6,1
53 po	—	—	—	—	—	—	76,9	44,9	28,1	2,5	5,9	8,8	76,4	46,2	26,0	2,9	6,3	10,5
54 po	—	—	—	—	—	—	77,6	45,8	28,6	2,8	6,2	9,0	77,1	47,1	26,5	3,2	6,6	10,7
55 po	—	—	—	—	—	—	78,2	46,6	29,2	3,1	6,5	9,1	77,8	47,9	27,0	3,5	6,9	10,8
56 po	79,6	44,8	33,6	2,5	5,9	6,0	78,9	47,5	29,7	3,4	6,8	9,3	78,5	48,8	27,5	3,8	7,2	11,0
57 po	80,3	45,6	34,2	2,7	6,1	6,1	79,6	48,3	30,2	3,6	7,0	9,4	79,2	49,7	27,9	4,1	7,5	11,2
58 po	80,9	46,4	34,8	3,0	6,4	6,2	80,3	49,2	30,7	3,9	7,3	9,6	79,8	50,6	28,4	4,4	7,8	11,4
59 po	81,7	47,2	35,4	3,3	6,7	6,3	81,0	50,0	31,3	4,2	7,6	9,7	80,5	51,4	28,9	4,6	8,1	11,6
60 po	82,3	48,0	36,0	3,5	6,9	6,4	81,7	50,9	31,8	4,5	7,9	9,9	81,2	52,3	29,4	4,9	8,3	11,8
61 po	83,1	48,8	36,6	3,8	7,2	6,5	82,4	51,7	32,3	4,7	8,1	10,0	81,9	53,2	29,9	5,2	8,6	12,0
62 po	83,7	49,6	37,2	4,1	7,5	6,6	83,1	52,6	32,9	5,0	8,4	10,2	82,6	54,0	30,4	5,5	8,9	12,2
63 po	84,4	50,4	37,8	4,3	7,7	6,6	83,7	53,4	33,4	5,3	8,7	10,4	83,2	54,9	30,9	5,8	9,2	12,3
64 po	85,1	51,2	38,4	4,6	8,0	6,7	84,4	54,3	33,9	5,6	9,0	10,5	83,9	55,8	31,4	6,1	9,5	12,5
65 po	85,9	52,0	39,0	4,8	8,2	6,8	85,1	55,1	34,4	5,8	9,3	10,7	84,6	56,7	31,9	6,4	9,8	12,7
66 po	86,5	52,8	39,6	5,1	8,5	6,9	85,8	56,0	35,0	6,1	9,5	10,8	85,3	57,5	32,4	6,6	10,0	12,9
67 po	87,2	53,6	40,2	5,4	8,8	7,0	86,5	56,8	35,5	6,4	9,8	11,0	85,9	58,4	32,9	6,9	10,4	13,1
68 po	87,9	54,4	40,8	5,6	9,0	7,1	87,2	57,7	36,0	6,7	10,1	11,1	86,6	59,3	33,3	7,2	10,6	13,3
69 po	88,6	55,2	41,4	5,9	9,3	7,2	87,9	58,5	36,6	7,0	10,4	11,3	87,3	60,1	33,8	7,5	10,9	13,5
70 po	89,3	56,0	42,0	6,1	9,6	7,3	88,5	59,4	37,1	7,2	10,7	11,4	88,0	61,0	34,3	7,8	11,2	13,7
71 po	90,0	56,8	42,6	6,4	9,8	7,4	89,2	60,2	37,6	7,5	10,9	11,6	88,6	61,9	34,8	8,1	11,5	13,8
72 po	90,7	57,6	43,2	6,7	10,1	7,5	89,9	61,1	38,2	7,8	11,2	11,8	89,3	62,8	35,3	8,3	11,6	14,0
73 po	91,4	58,4	43,8	6,9	10,4	7,6	90,6	61,9	38,7	8,1	11,5	11,9	90,0	63,6	35,8	8,6	12,0	14,2

Taille de l'image diagonale (S)	4:3 XGA						16:10 WXGA						16:9 grand écran					
	Hauteur du plafond min.*	Largeur de l'image (l)	Hauteur de l'image (h)	Dist. de proj. min. (a)	Repères de glissière (b)	Dist. du haut de l'image à la plaque murale (c)	Hauteur du plafond min.*	Largeur de l'image (l)	Hauteur de l'image (h)	Dist. de proj. min. (a)	Repères de glissière (b)	Dist. du haut de l'image à la plaque murale (c)	Hauteur du plafond min.*	Largeur de l'image (l)	Hauteur de l'image (h)	Dist. de proj. min. (a)	Repères de glissière (b)	Dist. du haut de l'image à la plaque murale (c)
74 po	92,1	59,2	44,4	7,2	10,6	7,7	91,3	62,8	39,2	8,3	11,8	12,1	90,7	64,5	36,3	8,9	12,3	14,4
75 po	92,8	60,0	45,0	7,4	7,4	7,8	92,0	63,6	39,7	8,6	8,6	12,2	91,4	65,4	36,8	9,2	9,2	14,6
76 po	93,5	60,8	45,6	7,7	7,7	7,9	92,6	64,4	40,3	8,9	8,9	12,4	92,0	66,2	37,3	9,5	9,5	14,8
77 po	94,2	61,6	46,2	8,0	8,0	8,0	93,3	65,3	40,8	9,2	9,2	12,5	92,7	67,1	37,8	9,8	9,8	15,0
78 po	94,9	62,4	46,8	8,2	8,2	8,1	94,0	66,1	41,3	9,5	9,5	12,7	93,4	68,0	38,2	10,1	10,1	15,1
79 po	95,6	63,2	47,4	8,5	8,5	8,2	94,7	67,0	41,9	9,7	9,7	12,8	94,1	68,9	38,7	10,3	10,3	15,3
80 po	96,3	64,0	48,0	8,8	8,8	8,3	95,4	67,8	42,4	10,0	10,0	13,0	94,7	69,7	39,2	10,6	10,6	15,5
81 po	97,0	64,8	48,6	9,0	9,0	8,4	96,1	68,7	42,9	10,3	10,3	13,2	95,4	70,6	39,7	10,9	10,9	15,7
82 po	97,7	65,6	49,2	9,3	9,3	8,5	96,8	69,5	43,5	10,6	10,6	13,3	96,1	71,5	40,2	11,2	11,2	15,9
83 po	98,4	66,4	49,8	9,5	9,5	8,6	97,4	70,4	44,0	10,8	10,8	13,5	96,8	72,3	40,7	11,5	11,5	16,1
84 po	99,1	67,2	50,4	9,8	9,8	8,7	98,1	71,2	44,5	11,1	11,1	13,6	97,5	73,2	41,2	11,8	11,8	16,3
85 po	99,8	68,0	51,0	10,1	10,1	8,8	98,8	72,1	45,0	11,4	11,4	13,8	98,1	74,1	41,7	12,1	12,1	16,5
86 po	100,5	68,8	51,6	10,3	10,3	8,9	99,5	72,9	45,6	11,7	11,7	13,9	—	—	—	—	—	—
87 po	101,2	69,6	52,2	10,6	10,6	9,0	100,2	73,8	46,1	12,0	12,0	14,1	—	—	—	—	—	—
88 po	101,9	70,4	52,8	10,9	10,9	9,1	100,9	74,6	46,6	12,2	12,2	14,2	—	—	—	—	—	—
89 po	102,6	71,2	53,4	11,1	11,1	9,2	—	—	—	—	—	—	—	—	—	—	—	—
90 po	103,3	72,0	54,0	11,4	11,4	9,3	—	—	—	—	—	—	—	—	—	—	—	—
91 po	104,0	72,8	54,6	11,6	11,6	9,4	—	—	—	—	—	—	—	—	—	—	—	—
92 po	104,6	73,6	55,2	11,9	11,9	9,5	—	—	—	—	—	—	—	—	—	—	—	—
93 po	105,3	74,4	55,8	12,2	12,2	9,6	—	—	—	—	—	—	—	—	—	—	—	—

* Basée sur une image à 762 mm (30 po) du plancher, si l'image est plus basse, la hauteur de plafond minimum est réduite par la mesure correspondante.

Mesures d'installation en millimètres pour BrightLink 575Wi+/585Wi+/575Wi+ et PowerLite 575W/585W

Taille de l'image diag. (S)	16:10 WXGA						4:3 XGA						16:9 grand écran					
	Haut. du plafond min.*	Larg. de l'image (l)	Haut. de l'image (h)	Dist. de proj. min. (a)	Repères de glissière (b)	Dist. du haut de l'image à la plaque murale (c)	Haut. du plafond min.*	Larg. de l'image (l)	Haut. de l'image (h)	Dist. de proj. min. (a)	Repères de glissière (b)	Dist. du haut de l'image à la plaque murale (c)	Haut. du plafond min.*	Larg. de l'image (l)	Haut. de l'image (h)	Dist. de proj. min. (a)	Repères de glissière (b)	Dist. du haut de l'image à la plaque murale (c)
53 po	—	—	—	—	—	—	1998	1077	808	62	149	174	—	—	—	—	—	—
54 po	—	—	—	—	—	—	2016	1097	823	69	156	177	—	—	—	—	—	—
55 po	—	—	—	—	—	—	2034	1118	838	76	163	180	—	—	—	—	—	—
56 po	—	—	—	—	—	—	2052	1138	853	83	170	183	—	—	—	—	—	—
57 po	—	—	—	—	—	—	2071	1158	869	91	178	186	—	—	—	—	—	—
58 po	—	—	—	—	—	—	2089	1179	884	98	185	189	—	—	—	—	—	—
59 po	—	—	—	—	—	—	2107	1199	899	105	192	192	1968	1306	735	66	153	217
60 po	1998	1292	808	62	149	174	2125	1219	914	112	199	195	1983	1328	747	73	160	220
61 po	2014	1314	821	69	156	177	2144	1240	930	119	206	198	1999	1350	760	79	166	223
62 po	2030	1335	835	75	162	179	2162	1260	945	126	213	201	2015	1373	772	86	173	227
63 po	2046	1357	848	81	168	182	2180	1280	960	133	220	204	2031	1395	785	92	179	230
64 po	2063	1379	862	87	174	185	2198	1300	975	140	227	207	2047	1417	797	98	185	234
65 po	2078	1400	875	93	180	187	2217	1321	991	147	234	210	2062	1439	809	105	192	237
66 po	2094	1422	888	100	187	190	2235	1341	1006	154	241	213	2079	1461	822	111	198	241
67 po	2111	1443	902	106	193	193	2253	1361	1021	161	248	216	2094	1483	834	117	204	244
68 po	2126	1465	915	112	199	195	2271	1382	1036	168	256	219	2111	1505	847	124	211	248
69 po	2143	1486	929	118	205	198	2290	1402	1052	175	262	222	2126	1528	859	130	217	251
70 po	2159	1508	942	124	211	201	2308	1422	1067	182	269	225	2142	1550	872	137	224	254
71 po	2175	1529	956	131	218	203	2326	1443	1082	189	276	228	2158	1572	884	143	230	258
72 po	2191	1551	969	137	224	206	2345	1463	1097	196	283	232	2174	1594	897	149	236	261
73 po	2208	1572	983	143	230	209	2364	1483	1113	203	290	235	2190	1616	909	156	243	265
74 po	2223	1594	996	149	236	211	2382	1504	1128	210	297	238	2205	1638	921	162	249	268
75 po	2240	1615	1010	155	242	214	2400	1524	1143	217	304	241	2222	1660	934	168	256	272
76 po	2256	1637	1023	162	248	217	2418	1544	1158	224	311	244	2237	1682	946	175	263	275

Taille de l'image diag. (S)	16:10 WXGA						4:3 XGA						16:9 grand écran					
	Haut. du plafond min.*	Larg. de l'image (l)	Haut. de l'image (h)	Dist. de proj. min. (a)	Repères de glissière (b)	Dist. du haut de l'image à la plaque murale (c)	Haut. du plafond min.*	Larg. de l'image (l)	Haut. de l'image (h)	Dist. de proj. min. (a)	Repères de glissière (b)	Dist. du haut de l'image à la plaque murale (c)	Haut. du plafond min.*	Larg. de l'image (l)	Haut. de l'image (h)	Dist. de proj. min. (a)	Repères de glissière (b)	Dist. du haut de l'image à la plaque murale (c)
77 po	2272	1659	1037	168	168	219	2436	1565	1173	231	231	247	2253	1705	959	181	181	278
78 po	2288	1680	1050	174	174	222	2455	1585	1189	238	238	250	2269	1727	971	188	188	282
79 po	2304	1702	1063	180	180	225	2473	1605	1204	245	245	253	2285	1749	984	194	194	285
80 po	2320	1723	1077	187	187	227	2491	1626	1219	252	252	256	2301	1771	996	200	200	289
81 po	2336	1745	1090	193	193	230	2509	1646	1234	259	259	259	2317	1793	1009	207	207	292
82 po	2353	1766	1104	199	199	233	2528	1666	1250	266	266	262	2333	1815	1021	213	213	296
83 po	2368	1788	1117	205	205	235	2546	1687	1265	273	273	265	2349	1837	1034	219	219	299
84 po	2385	1809	1131	211	211	238	2564	1707	1280	280	280	268	2365	1860	1046	226	226	303
85 po	2401	1831	1144	218	218	241	2582	1727	1295	287	287	271	2380	1882	1058	232	232	306
86 po	2417	1852	1158	224	224	243	2601	1748	1311	294	294	274	2396	1904	1071	239	239	309
87 po	2433	1874	1171	230	230	246	2619	1768	1326	301	301	277	2412	1926	1083	245	245	313
88 po	2450	1895	1185	236	236	249	2637	1788	1341	308	308	280	2428	1948	1096	251	251	316
89 po	2466	1917	1198	242	242	252	—	—	—	—	—	—	2444	1970	1108	258	258	320
90 po	2482	1939	1212	249	249	254	—	—	—	—	—	—	2460	1992	1121	264	264	323
91 po	2498	1960	1225	255	255	257	—	—	—	—	—	—	2476	2015	1133	270	270	327
92 po	2515	1982	1239	261	261	260	—	—	—	—	—	—	2492	2037	1146	277	277	330
93 po	2530	2003	1252	267	267	262	—	—	—	—	—	—	2507	2059	1158	283	283	333
94 po	2546	2025	1265	273	273	265	—	—	—	—	—	—	2524	2081	1171	290	290	337
95 po	2563	2046	1279	280	280	268	—	—	—	—	—	—	2539	2103	1183	296	296	340
96 po	2578	2068	1292	286	286	270	—	—	—	—	—	—	2555	2125	1195	302	302	344
97 po	2595	2089	1306	292	292	273	—	—	—	—	—	—	2571	2147	1208	309	309	347
98 po	2611	2111	1319	298	298	276	—	—	—	—	—	—	—	—	—	—	—	—
99 po	2627	2132	1333	304	304	278	—	—	—	—	—	—	—	—	—	—	—	—
100 po	2643	2154	1346	311	311	281	—	—	—	—	—	—	—	—	—	—	—	—

* Basée sur une image à 762 mm (30 po) du plancher; si l'image est plus basse, la hauteur de plafond minimum est réduite par la mesure correspondante.

Mesures d'installation en millimètres pour les projecteurs PowerLite 570/580

Taille de l'image diag. (S)	4:3 XGA						16:10 WXGA						16:9 grand écran					
	Haut. du plafond min.*	Larg. de l'image (l)	Haut. de l'image (h)	Dist. de proj. min. (a)	Repères de glissière (b)	Dist. du haut de l'image à la plaque murale (c)	Haut. du plafond min.*	Larg. de l'image (l)	Haut. de l'image (h)	Dist. de proj. min. (a)	Repères de glissière (b)	Dist. du haut de l'image à la plaque murale (c)	Haut. du plafond min.*	Larg. de l'image (l)	Haut. de l'image (h)	Dist. de proj. min. (a)	Repères de glissière (b)	Dist. du haut de l'image à la plaque murale (c)
52 po	—	—	—	—	—	—	—	—	—	—	—	—	1925	1151	648	67	154	261
53 po	—	—	—	—	—	—	1952	1142	713	64	151	223	1942	1173	660	74	161	266
54 po	—	—	—	—	—	—	1970	1163	727	71	158	227	1959	1195	672	81	168	271
55 po	—	—	—	—	—	—	1987	1185	740	78	165	231	1976	1218	685	89	176	275
56 po	2021	1138	853	63	150	152	2005	1206	754	85	172	235	1993	1240	697	96	183	280
57 po	2039	1158	869	69	156	154	2022	1228	767	92	179	239	2011	1262	710	103	190	285
58 po	2056	1179	884	76	163	156	2040	1249	781	99	186	243	2028	1284	722	110	197	290
59 po	2074	1199	899	83	170	159	2057	1271	794	106	193	247	2045	1306	735	118	205	294
60 po	2091	1219	914	89	176	161	2075	1292	808	113	200	251	2062	1328	747	125	212	299
61 po	2110	1240	930	96	183	164	2092	1314	821	120	207	255	2080	1350	760	132	219	304
62 po	2127	1260	945	103	190	166	2110	1335	835	127	214	259	2097	1373	772	139	226	309
63 po	2145	1280	960	109	196	169	2127	1357	848	134	221	263	2114	1395	785	147	234	313
64 po	2162	1300	975	116	203	171	2145	1379	862	141	228	267	2131	1417	797	154	241	318
65 po	2181	1321	991	122	209	174	2162	1400	875	148	235	271	2148	1439	809	161	248	323
66 po	2198	1341	1006	129	216	176	2179	1422	888	155	242	275	2166	1461	822	168	255	328
67 po	2216	1361	1021	136	223	179	2197	1443	902	163	250	279	2182	1483	834	176	263	332
68 po	2233	1382	1036	142	229	181	2214	1465	915	170	257	283	2200	1505	847	183	270	337
69 po	2251	1402	1052	149	236	183	2232	1486	929	177	264	287	2217	1528	859	190	277	342
70 po	2269	1422	1067	156	243	186	2249	1508	942	184	271	291	2235	1550	872	197	284	347
71 po	2286	1443	1082	162	249	188	2266	1529	956	191	278	294	2251	1572	884	205	292	351
72 po	2304	1463	1097	169	256	191	2283	1551	969	198	285	298	2269	1594	897	212	294	356

Taille de l'image diag. (S)	4:3 XGA						16:10 WXGA						16:9 grand écran					
	Haut. du plafond min.*	Larg. de l'image (l)	Haut. de l'image (h)	Dist. de proj. min. (a)	Repères de glissière (b)	Dist. du haut de l'image à la plaque murale (c)	Haut. du plafond min.*	Larg. de l'image (l)	Haut. de l'image (h)	Dist. de proj. min. (a)	Repères de glissière (b)	Dist. du haut de l'image à la plaque murale (c)	Haut. du plafond min.*	Larg. de l'image (l)	Haut. de l'image (h)	Dist. de proj. min. (a)	Repères de glissière (b)	Dist. du haut de l'image à la plaque murale (c)
73 po	2322	1483	1113	176	263	193	2301	1572	983	205	292	302	2286	1616	909	219	306	361
74 po	2340	1504	1128	182	269	196	2318	1594	996	212	299	306	2303	1638	921	226	313	366
75 po	2357	1524	1143	189	275	198	2336	1615	1010	219	304	310	2320	1660	934	234	320	370
76 po	2375	1544	1158	196	281	201	2353	1637	1023	226	309	314	2337	1682	946	241	327	375
77 po	2392	1565	1173	202	284	203	2371	1659	1037	233	311	318	2355	1705	959	248	334	380
78 po	2411	1585	1189	209	287	206	2388	1680	1050	240	314	322	2372	1727	971	255	341	385
79 po	2428	1605	1204	216	290	208	2405	1702	1063	247	317	326	2389	1749	984	263	348	389
80 po	2446	1626	1219	222	293	211	2423	1723	1077	254	320	330	2406	1771	996	270	355	394
81 po	2463	1646	1234	229	296	213	2440	1745	1090	261	323	334	2424	1793	1009	277	362	399
82 po	2481	1666	1250	236	299	215	2458	1766	1104	268	326	338	2441	1815	1021	284	369	404
83 po	2499	1687	1265	242	302	218	2475	1788	1117	275	329	342	2458	1837	1034	292	376	408
84 po	2516	1707	1280	249	305	220	2493	1809	1131	282	332	346	2475	1860	1046	299	383	413
85 po	2534	1727	1295	256	308	223	2510	1831	1144	289	335	350	2492	1882	1058	306	390	418
86 po	2552	1748	1311	262	311	225	2528	1852	1158	297	338	354	—	—	—	—	—	—
87 po	2570	1768	1326	269	314	228	2545	1874	1171	304	341	358	—	—	—	—	—	—
88 po	2587	1788	1341	275	317	230	2563	1895	1185	311	344	362	—	—	—	—	—	—
89 po	2605	1808	1356	282	320	233	—	—	—	—	—	—	—	—	—	—	—	—
90 po	2623	1829	1372	289	323	235	—	—	—	—	—	—	—	—	—	—	—	—
91 po	2641	1849	1387	295	326	238	—	—	—	—	—	—	—	—	—	—	—	—
92 po	2658	1869	1402	302	329	240	—	—	—	—	—	—	—	—	—	—	—	—
93 po	2675	1890	1417	309	332	242	—	—	—	—	—	—	—	—	—	—	—	—

* Basée sur une image à 762 mm (30 po) du plancher; si l'image est plus basse, la hauteur de plafond minimum est réduite par la mesure correspondante.

Si vous avez un tableau blanc interactif préexistant, consultez le tableau ci-dessous pour identifier les modèles et tailles communes. Si votre tableau est listé ici, utilisez les dimensions pour vous référer aux exigences d'installation des pages 58 à 65.

Tailles des tableaux blancs interactifs

Taille diagonale	16:10 WXGA	4:3 XGA	16:9 grand écran
57 po	—	PolyVision TS410	—
60 po	—	Hitachi® Cambridge board 60 RM ClassBoard2 60 INTERWRITE BOARD 1060 INTERWRITE Dual board 1260	—
63 po	—	Hitachi® StarBoard FX-63	—
64 po	—	SMART Board 660 Promethean ActivBoard 164	—
66 po	—	TeamBoard RT TMWM5422CL/EM	—
71 po	—	—	INTERWRITE BOARD 1071
75 po	PolyVision® eno2650	—	—
77 po	—	Hitachi Cambridge Board 77 Hitachi StarBoard FX DUO 77 SMART Board 680 SMART BoardX880 INTERWRITE® BOARD 1077 TeamBoard RT TMWM6250CL/EM	INTERWRITE Dual board 1277
77,5 po	—	RM ClassBoard2 77.5	—
78 po	PolyVision TS 600/ TS620 / TSL620	PolyVision TS610 Promethean ActivBoard 178 / 378	—
79 po	—	INTERWRITE Dual Board 1279	—
80 po	—	—	RM Classboard 85
82 po	—	—	Hitachi StarBoard FX-82W
85 po	TeamBoard RT TMWM7450EM	—	INTERWRITE BOARD 1085 INTERWRITE Dual Board 1285
87 po	SMART Board™ 685 SMART BoardX 885 Promethean ActivBoard 387 Promethean ActivBoard 587 pro	—	—
88 po	Hitachi StarBoard FX DUO-88W	—	—
89 po	—	INTERWRITE Dual Board 1289	—
93 po	—	—	PolyVision ENO 2810
94 po	—	—	SMART Board 690
95 po	—	—	INTERWRITE BOARD 1095 INTERWRITE Dual Board 1295 Promethean ActivBoard 395 Promethean ActivBoard 595 pro

5 Installation du projecteur



Veillez à bien respecter les étapes ci-dessous lorsque vous installez le support de montage. Si vous les ignorez, le support de montage pourrait tomber et provoquer des blessures corporelles et des dommages matériels.

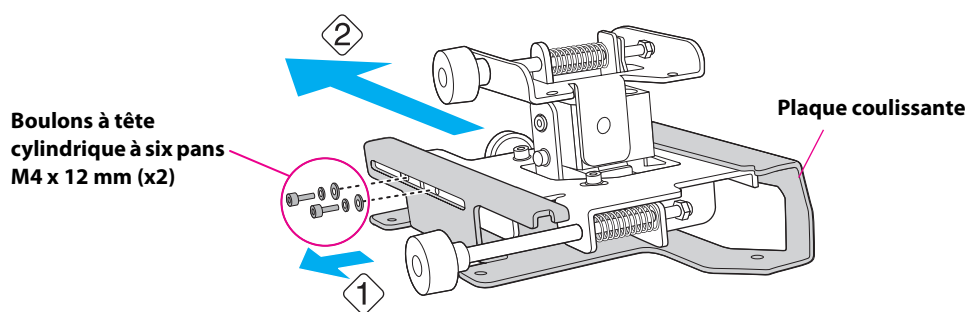
Avertissement

- ❑ La fixation du projecteur sur un mur à l'aide du support de montage doit être effectuée sur un mur suffisamment solide pour maintenir le support de montage et le projecteur. Ce support de montage doit être installé sur un mur en béton. Vérifiez donc le poids du projecteur et du support de montage avant l'installation et veillez à la bonne solidité du mur. Si la solidité du mur est insuffisante, renforcez le mur avant de procéder à l'installation.
- ❑ Le poids maximum du projecteur combiné à celui du support de montage est de 14,8 kg (32,6 lb).
- ❑ Ne suspendez pas la longueur restante du câble sur le support de montage.
- ❑ Installez le support de montage de sorte qu'il puisse supporter son poids ainsi que celui du projecteur et résister à toute vibration horizontale. Utilisez des écrous et des boulons M10 et assurez-vous d'utiliser des pattes de fixation appropriées pour votre type de mur. Si vous utilisez des écrous et des boulons de taille inférieure à M10, le support de montage risque de tomber.
- ❑ Epson n'accepte aucune responsabilité pour tout dommage ou toute blessure dus à une

1 Désassemblez les pièces

Retirez la plaque coulissante du dispositif de réglage à 3 axes.

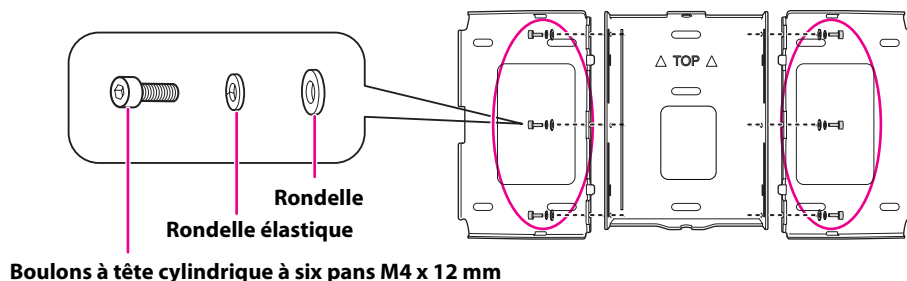
- Retirez les boulons à tête cylindrique à six pans M4 x 12 mm (x2) ().
- Retirez la plaque coulissante du dispositif de réglage à 3 axes ().



2 Assemblez les pièces

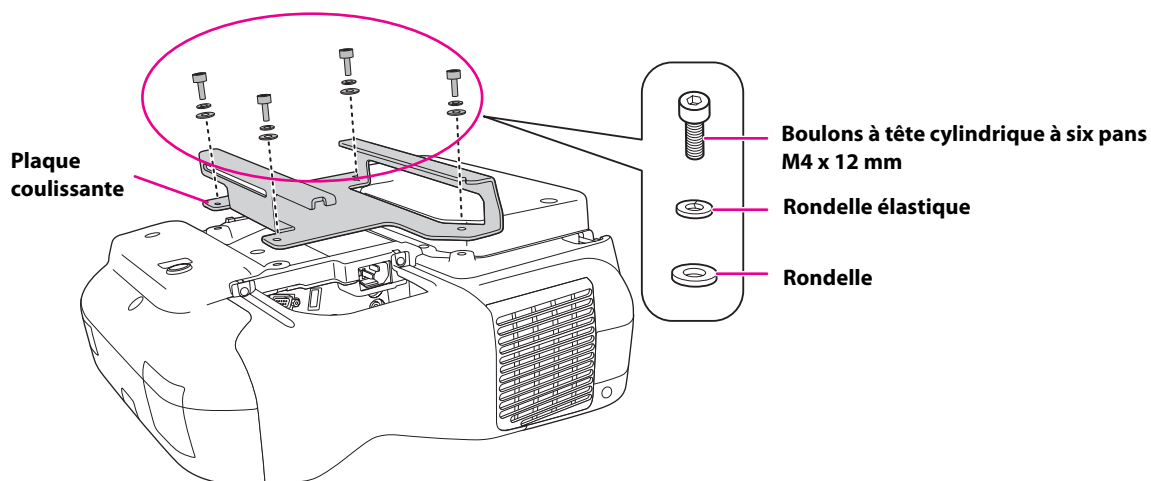
1. Assemblez la plaque murale.

Assemblez les trois plaques en une unité et fixez-les à l'aide des boulons à tête cylindrique à six pans M4 x 12 mm (x6) fournis.



2. Fixez la plaque coulissante au projecteur.

Fixez la plaque coulissante au projecteur à l'aide des boulons à tête cylindrique à six pans M4 x 12 mm (x4) fournis.



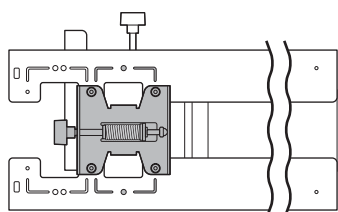
3. Fixez le dispositif de réglage à 3 axes au support de montage.

- Choisissez la position selon laquelle vous souhaitez installer le dispositif de réglage à 3 axes.

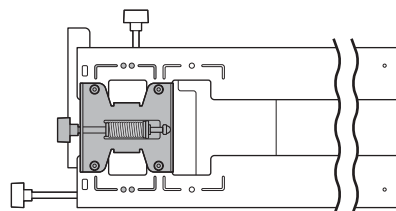
Installez-le au niveau du poinçon ○ lorsque l'image est inférieure à 75 po (190,5 cm)

(diagonalement) ou au niveau du poinçon ○○ lorsque l'image projetée est de 75 po (190,5 cm) ou plus (diagonalement).

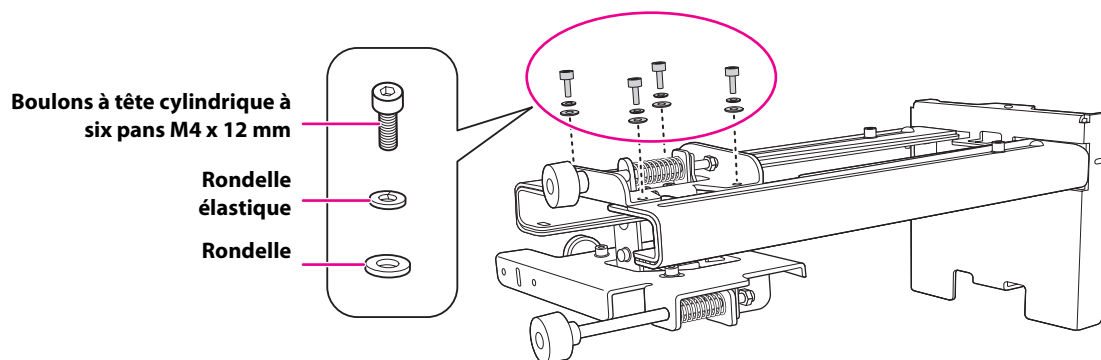
○ : moins de 75 po (190,5 cm)



○○ : 75 po ou plus (190,5 cm)

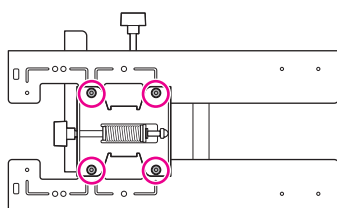


- Serrez les boulons à tête cylindrique à six pans M4 x 12 mm (x4) fournis pour installer le dispositif de réglage à 3 axes.

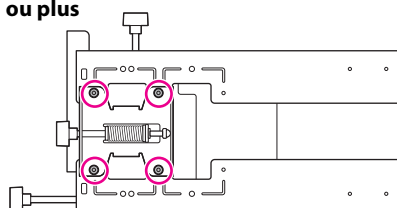


Positions d'installation des boulons

Lorsque l'image diagonale est inférieure à 75 po (190,5 cm)



Lorsque l'image diagonale est de 75 po (190,5 cm) ou plus



3 Installez la plaque murale sur le mur

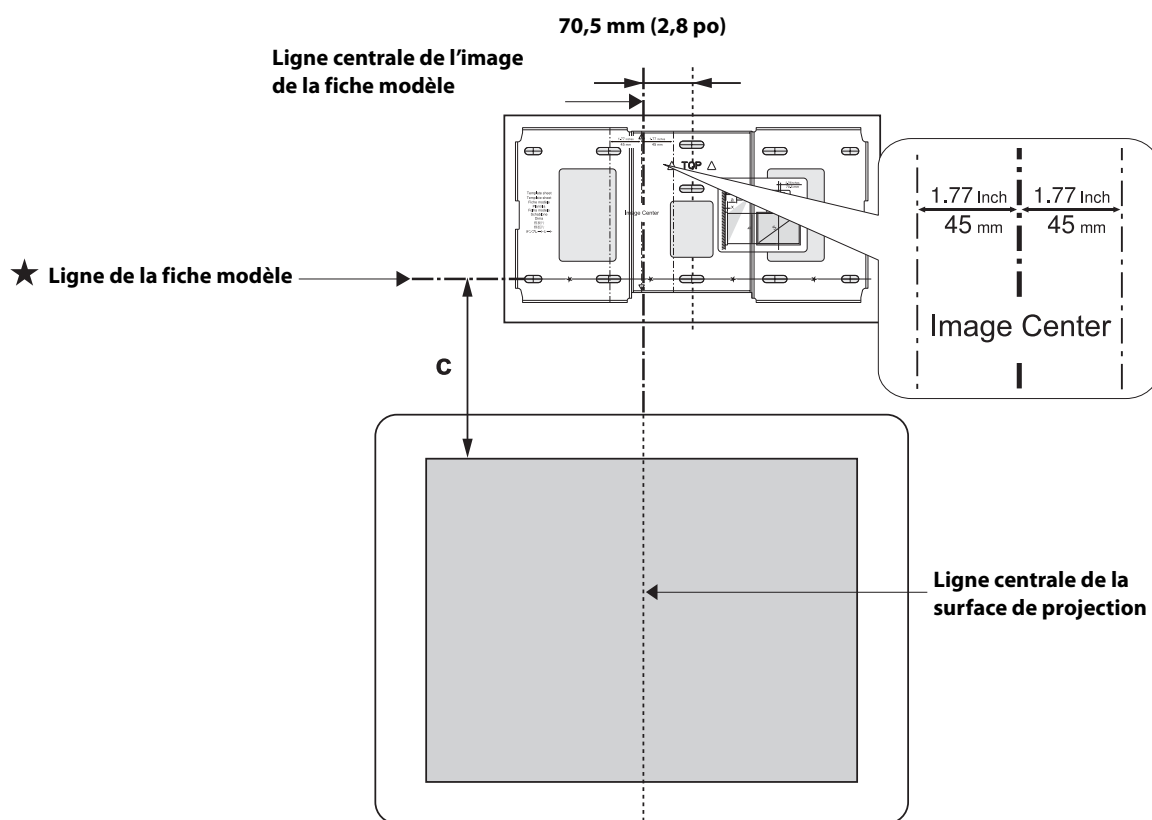
1. Déterminez la position de la fiche modèle.

- En vous aidant du tableau de distance de projection, vérifiez la taille de l'écran (S) et la distance entre la surface de projection et la plaque murale (c).
- Alignez la ligne du centre d'image (verticale) de la fiche modèle avec la ligne centrale (verticale) de la surface de projection.

Vérifiez l'emplacement des poutres à l'intérieur du mur et déplacez la position de la fiche modèle vers la gauche ou la droite si nécessaire.

La position peut être décalée horizontalement vers la gauche ou la droite de la ligne centrale de la surface de projection de 45 mm [1,77 po] au maximum.

- Alignez la ligne ★ horizontale sur le modèle avec la hauteur de (c).



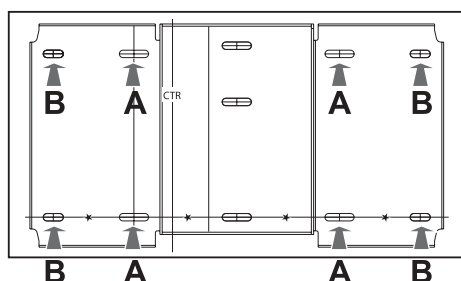
2. Fixez la fiche modèle au mur.

Si vous devez installer une boîte de jonction, vous pouvez utiliser les zones de découpe de la plaque murale pour la boîte. La boîte de jonction doit être encastrée dans le mur si vous souhaitez utiliser le cache de la plaque murale.

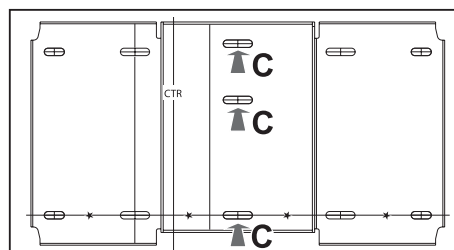
- Déterminez la position des trous de montage de la plaque murale.

Utilisez au moins trois trous de montage.

- Si vous fixez la plaque murale à quatre emplacements, percez les trous indiqués par A ou B sur l'image ci-dessous.
- Si vous fixez la plaque murale à trois emplacements, percez les trous indiqués par C sur l'illustration ci-dessous.



Quatre trous de montage

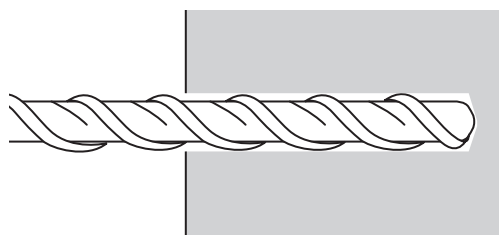


Trois trous de montage

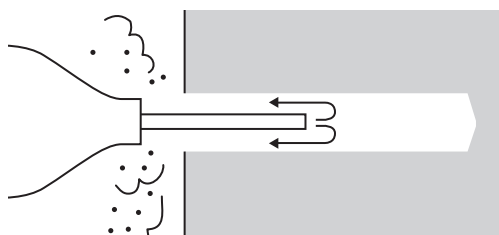
Les étapes 4 à 8 ci-dessous fournissent les instructions pour fixer la plaque murale à un mur de béton.

- Percez des trous des diamètres et des profondeurs suivants.

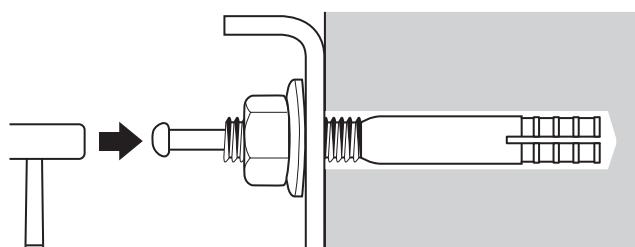
Diamètre de perçage	10,5 mm (0,41 po)
Profondeur du trou pilote	45 mm (1,8 po)
Profondeur du trou de la patte de fixation	40 mm (1,6 po)



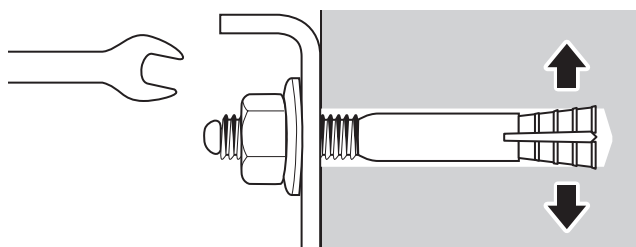
- Retirez la fiche modèle.
- Utilisez un appareil tel qu'une pompe à poussière pour enlever la poussière de béton hors du trou.



- Positionnez la plaque murale sur le mur et insérez les pattes de fixation à expansion M10 x 60 mm sans les trous. Fixez l'écrou et tapotez-le avec un marteau jusqu'à ce que la partie centrale touche le dessus de la patte de fixation.



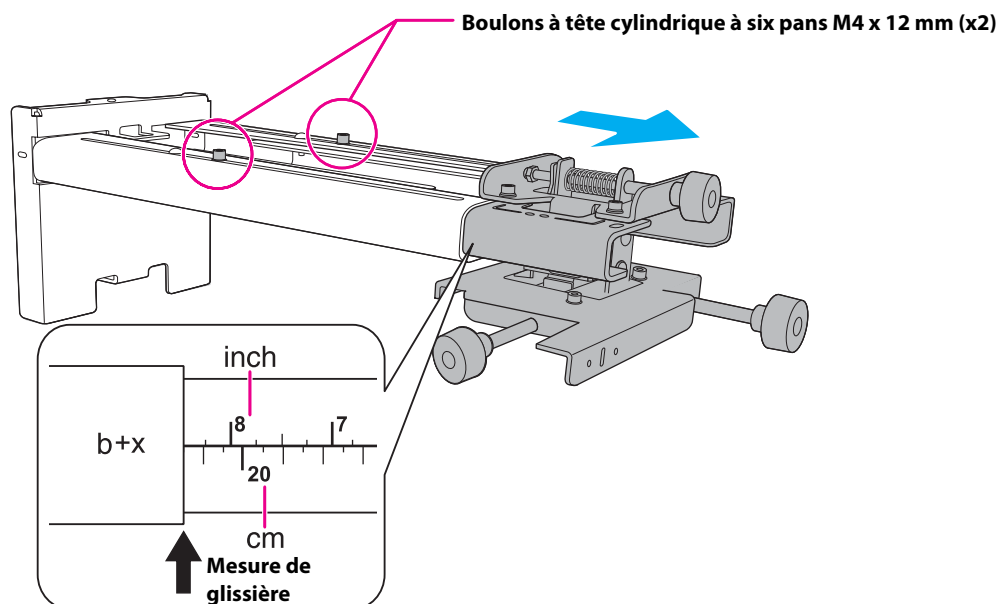
8. Serrez l'écrou avec une clef pour fixer la plaque murale au mur.



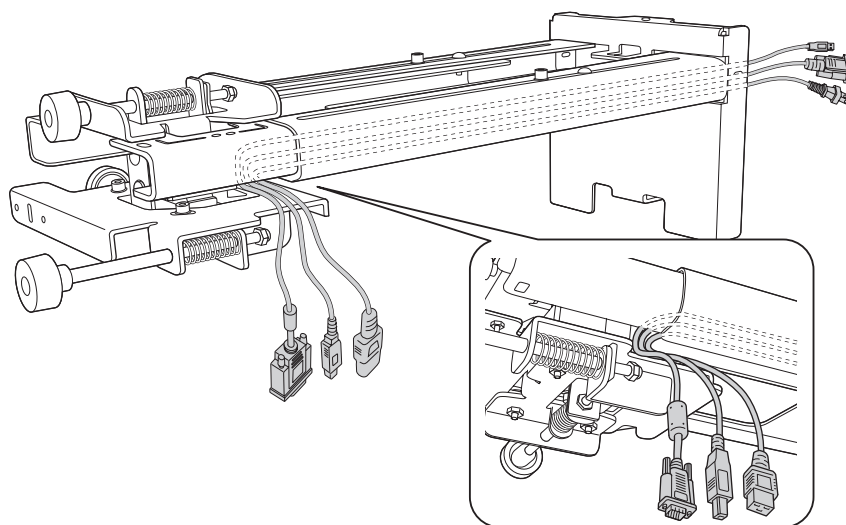
4 Déterminez la distance de projection et retirez la glissière

1. En consultant les tableaux des pages 58 à 65, vérifiez le chiffre pour la mesure de la glissière (b).
2. Desserrez les boulons à tête cylindrique à six pans M4 x 12 mm (x2), puis retirez la glissière sur le support de montage.

Alignez la glissière avec la mesure (b+x) équivalente à la mesure de la glissière (b) additionnée à l'épaisseur de l'écran de projection (x).

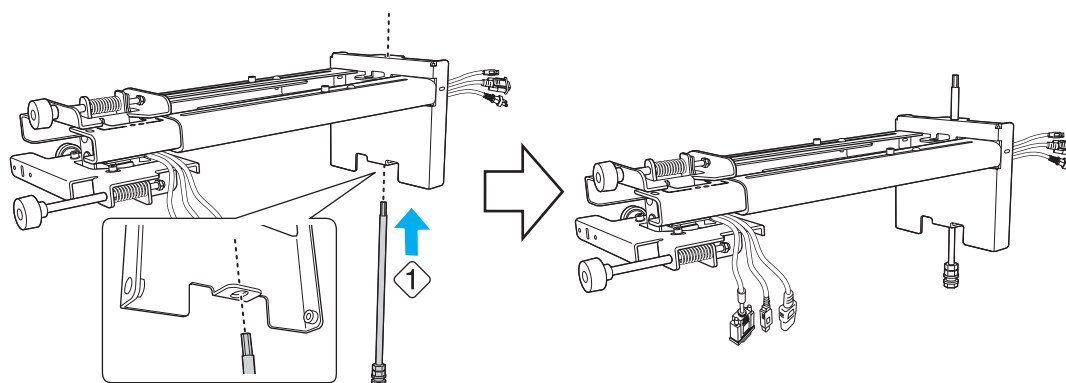


5 Faites passer les câbles dans le bras du support de montage



6 Fixez le bras du support de montage à la plaque murale

1. Insérez l'arbre hexagonal dans le support de montage (1).

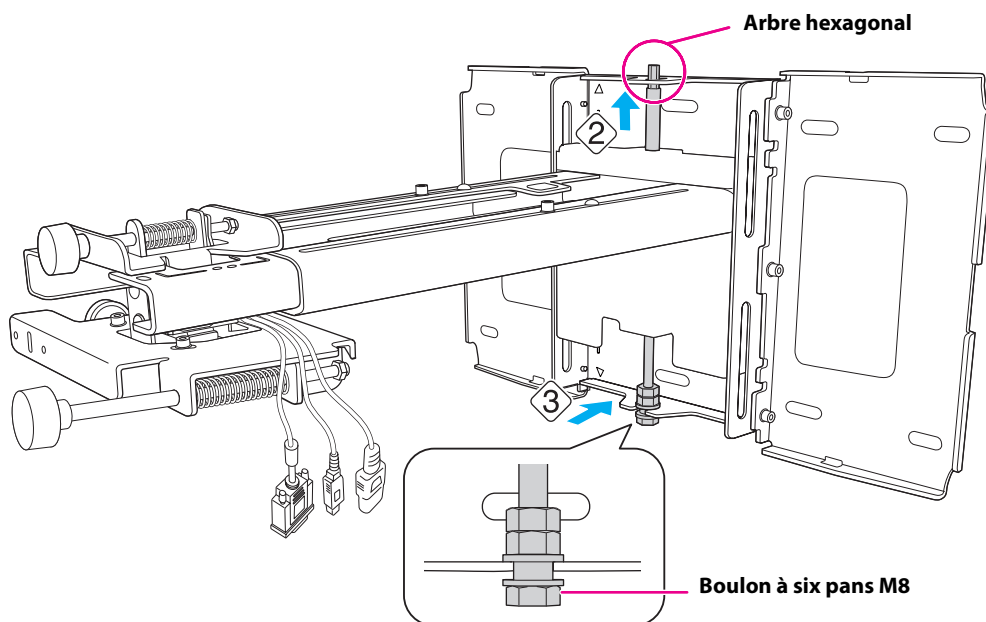


2. Insérez et faites tourner l'arbre hexagonal sur la partie supérieure du bras du support de montage dans le logement de la plaque murale (2).

3. Insérez et faites tourner le boulon à six pans M8 sur la partie inférieure du bras du support de montage dans la plaque murale (③).

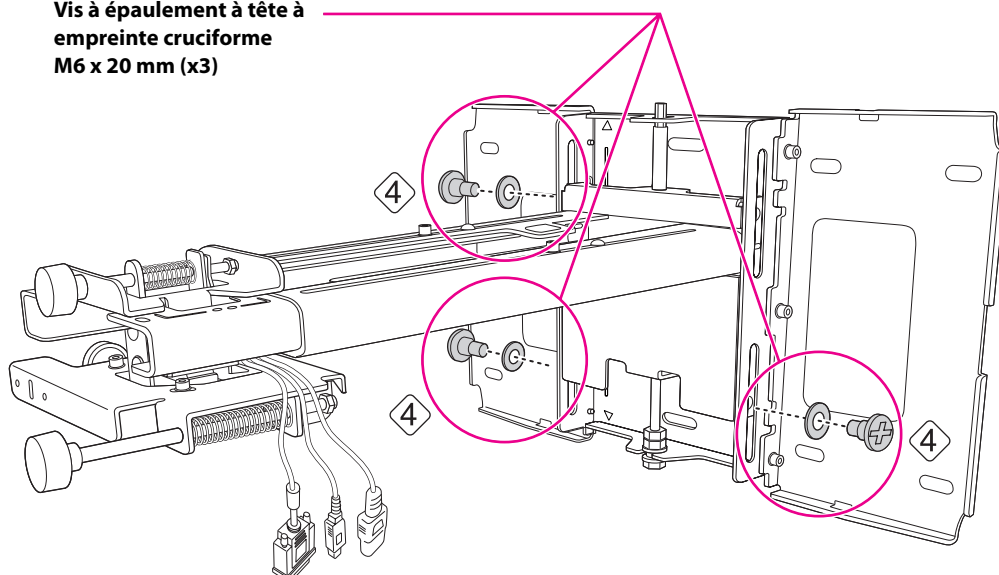
⚠ **Mise en garde**

Veillez à ne pas bloquer les câbles entre le bras du support de montage et la plaque murale.

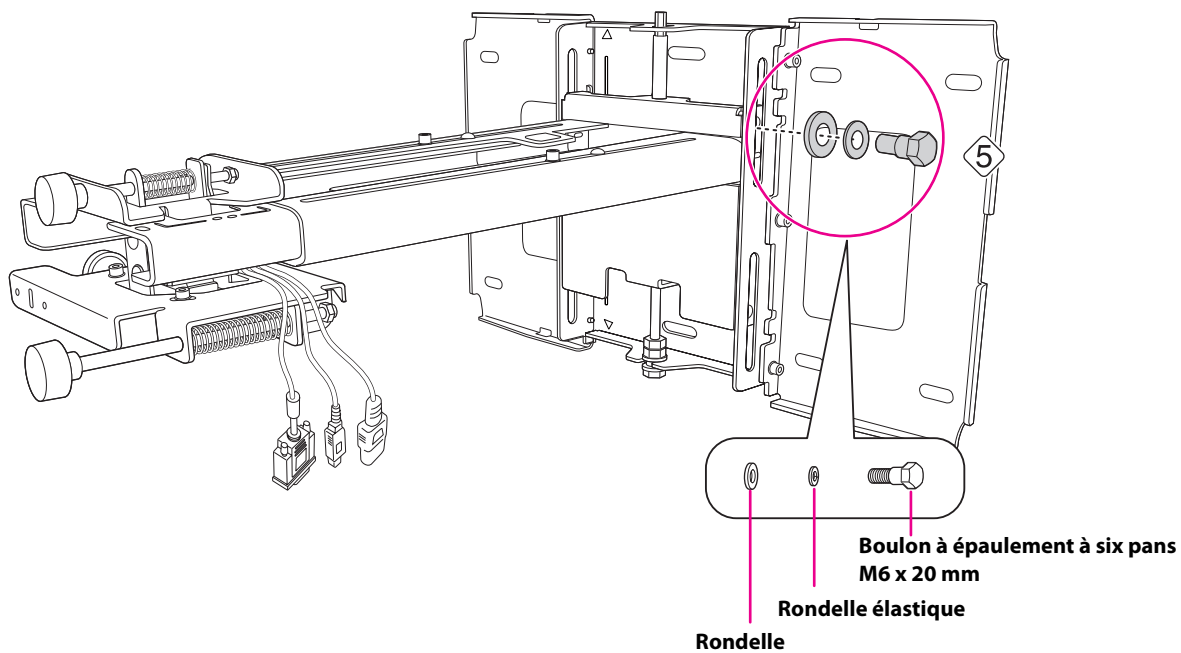


4. Fixez le bras du support de montage à la plaque murale en serrant les vis à épaulement à tête à empreinte cruciforme M6 x 20 mm (x3) fournies à l'aide du tournevis cruciforme n°3 (④).

**Vis à épaulement à tête à
empreinte cruciforme
M6 x 20 mm (x3)**



5. Desserrez légèrement le boulon à épaulement à six pans M6 x 20 mm (5).



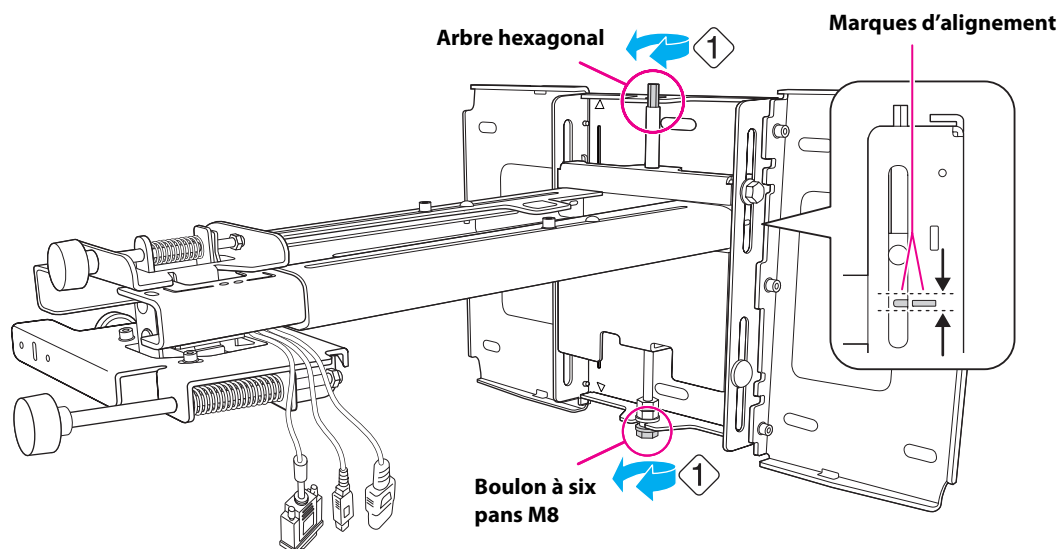
7 Réglez la position du coulissement vertical du bras

1. Réglez le coulissement vertical à l'aide du boulon à six pans M8 sur la partie inférieure du support de montage, ou de l'arbre hexagonal sur la partie supérieure de la plaque d'installation. (1).

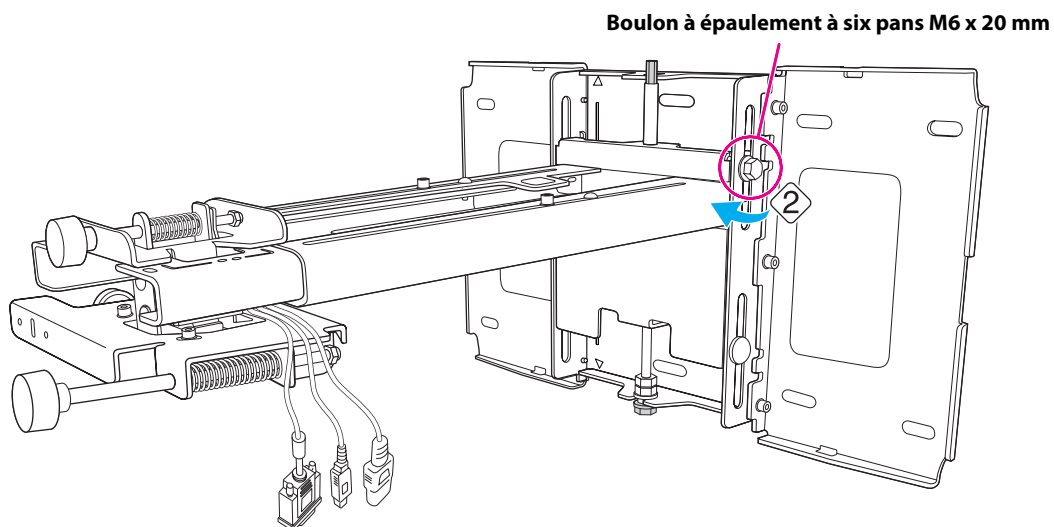
Commencez par aligner l'encoche sur le bras avec le poinçon sur la plaque murale tel qu'illustré ci-dessous.

Serrez le boulon à six pans M8 pour abaisser le support de montage et desserrez-le pour le relever.

Serrez l'arbre hexagonal pour relever le support de montage et desserrez-le pour l'abaisser.

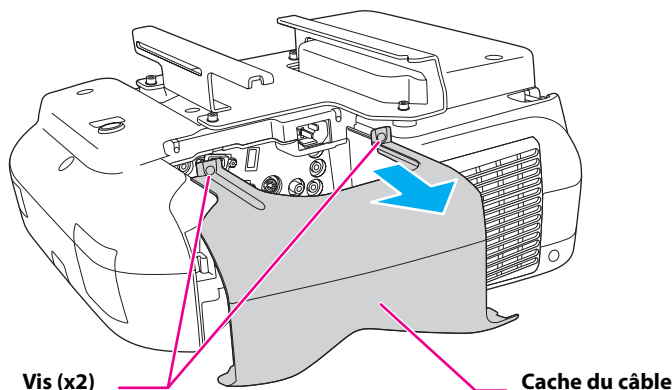


2. Serrez le boulon à épaulement à six pans M6 x 20 mm pour fixer le support de montage (2).



8 Fixez le projecteur au support de montage

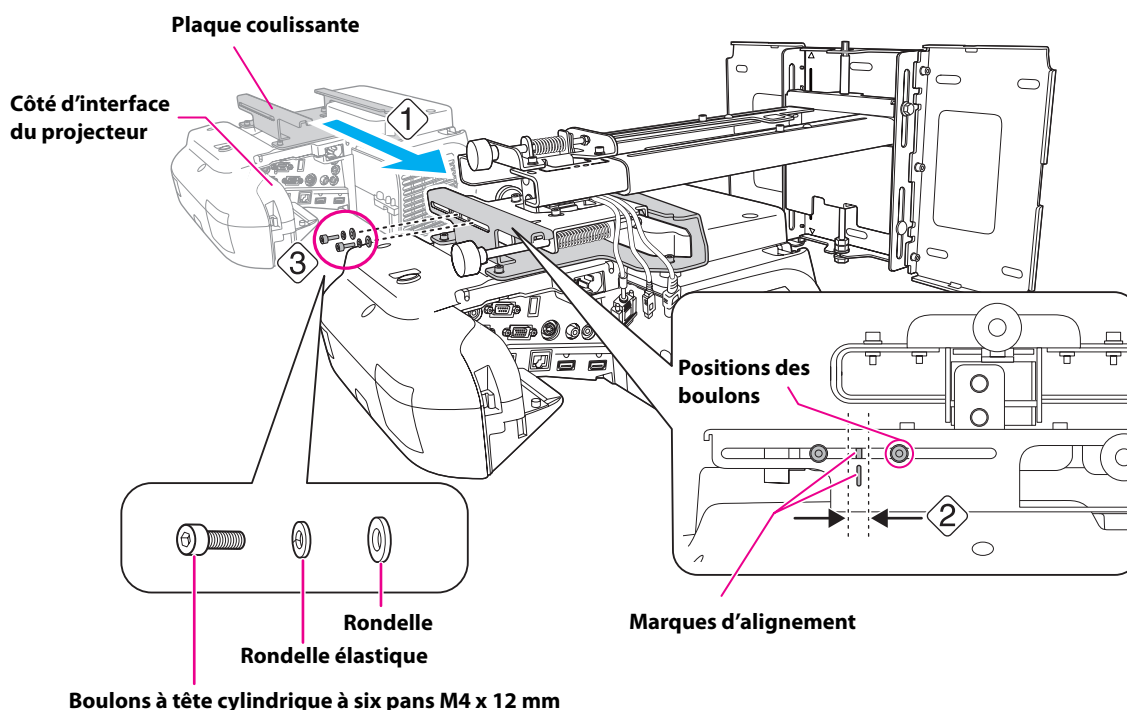
1. Desserrez les deux vis avec un tournevis cruciforme et retirez le cache du câble du projecteur.



2. Insérez la plaque coulissante dans le support de montage à partir du côté d'interface du projecteur (1).

Alignez le dispositif de réglage à 3 axes avec la marque d'alignement de la plaque coulissante (2).

3. Serrez les boulons à tête cylindrique à six pans M4 x 12 mm (x2) (3).



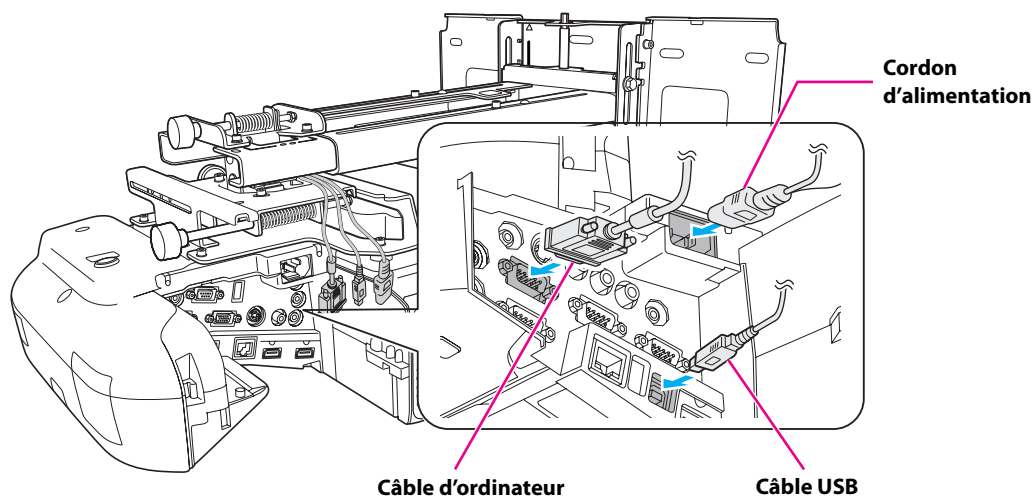
⚠ Avertissement

Lorsque vous installez ou ajustez le support de montage, n'utilisez pas d'adhésifs afin d'éviter que les vis ne se desserrent et n'utilisez pas d'huiles ou lubrifiants pour la plaque d'installation du projecteur. Le boîtier risque de se détériorer et le projecteur pourrait tomber, au risque de provoquer des blessures corporelles ou des dommages matériels.

9

Connectez le cordon d'alimentation et les autres câbles au projecteur

Connectez tous les câbles nécessaires, tels que le cordon d'alimentation, le câble d'ordinateur, le câble HDMI et le câble USB, au projecteur.



Si vous planifiez de faire passer les câbles à l'intérieur du mur, assurez-vous de suivre la réglementation électrique de votre région. Si vous faites passer les câbles à l'extérieur du mur, utilisez un système de gestion des câbles afin d'éviter que les câbles obstruent l'image. Un système de gestion des câbles est disponible en option chez Epson (numéro de pièce : ELPCK01).

6 Réglage de l'image

Pour garantir la meilleure qualité d'image, procédez comme décrit ci-dessous pour régler l'écran de projection.



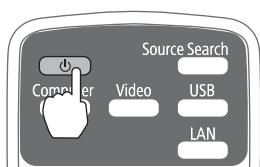
Ne procédez à aucun réglage avec la fonction Keystone ou Quick Corner du projecteur. Vous risqueriez de détériorer la qualité de l'image.

Lorsque vous utilisez les projecteurs BrightLink 575Wi/585Wi/575Wi+/585Wi+ et PowerLite 570/575W/580/585W, suivez ces directives pour configurer le projecteur :

- Assurez-vous que l'image est uniformément rectangulaire, sans distorsion.
- Assurez-vous que le projecteur n'est pas incliné de plus de $\pm 3^\circ$ verticalement et horizontalement par rapport à l'image projetée..

1 Mettez le projecteur sous tension

Avec la télécommande



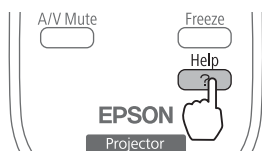
Avec le panneau de commande



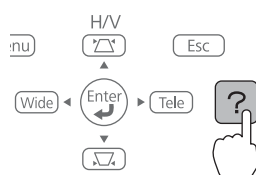
2 Affichez la mire

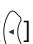
1. Appuyez sur le bouton [Help].

Avec la télécommande



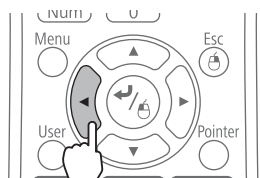
Avec le panneau de commande



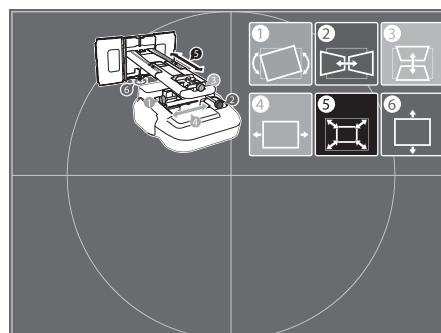
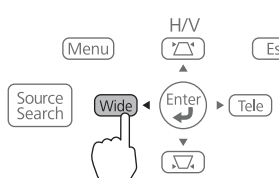
2. Appuyez sur le bouton [] de la télécommande ou sur le bouton [Wide] du panneau de commande.

La mire s'affiche.

Avec la télécommande



Avec le panneau de commande



3

Changez le rapport hauteur/largeur (au besoin)

Chaque fois que vous appuyez sur le bouton [Aspect] de la télécommande, le nom du format s'affiche à l'écran et le rapport hauteur/largeur change.

Changez le réglage en fonction du signal de l'équipement connecté.



Il est aussi possible de configurer le rapport hauteur/largeur à partir du menu Signal - Aspect. Voici une liste des réglages de rapport hauteur/largeur disponibles :

PowerLite 570/580

- **Automatique** : Règle automatiquement le rapport hauteur/largeur et le paramètre **Résolution** (disponible seulement pour les sources d'images HDMI).
- **Normal** : Affiche les images sur toute la surface de projection et conserve le rapport hauteur/largeur de l'image. Choisissez ce réglage ou **Automatique** pour redimensionner automatiquement l'image et utiliser l'espace d'affichage de la façon la plus efficace.
- **4:3** : Affiche les images sur toute la surface de projection selon un rapport hauteur/largeur de 4:3.
- **16:9** : Convertit le rapport hauteur/largeur de l'image de 16:9. Les images 4:3 sont étirées horizontalement pour tenir à l'écran.

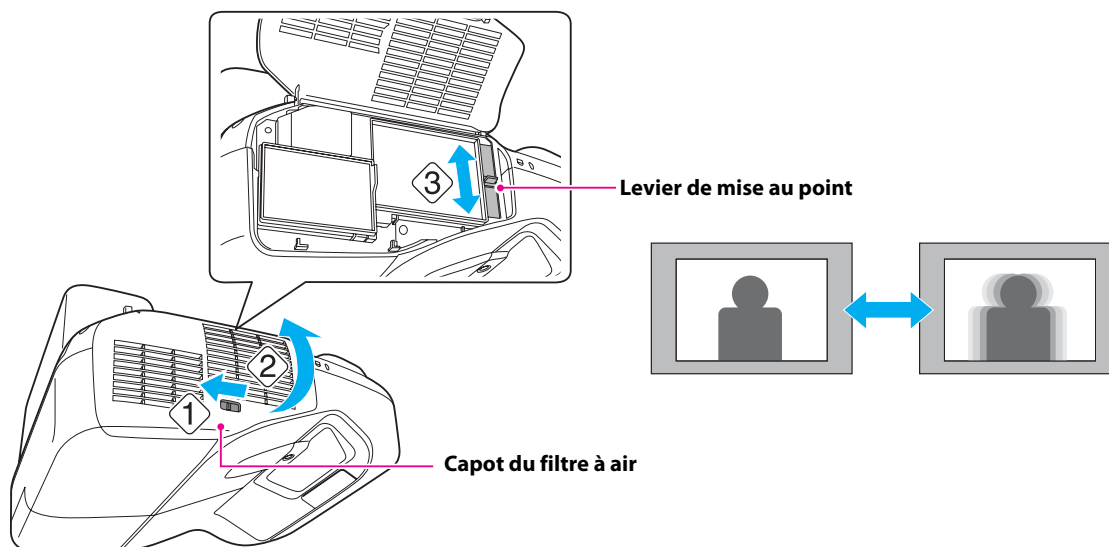
BrightLink 575Wi/585Wi/575Wi+/585Wi+ et PowerLite 575W/585W

- **Automatique** : Règle automatiquement le rapport hauteur/largeur et le paramètre **Résolution** (disponible seulement pour les sources d'images HDMI).
- **Normal** : Affiche les images sur toute la surface de projection et conserve le rapport hauteur/largeur de l'image. Choisissez ce réglage ou **Automatique** pour redimensionner automatiquement l'image et utiliser l'espace d'affichage de la façon la plus efficace.
- **16:9** : Convertit le rapport hauteur/largeur de l'image de 16:9. Les images 4:3 sont étirées horizontalement pour tenir à l'écran.
- **Complet** : Affiche les images sur la pleine largeur de la surface de projection, mais ne conserve pas le format. Les images 4:3 sont étirées horizontalement.
- **Zoom** : Affiche les images sur la pleine largeur de la surface de projection et conserve le format de l'image. L'image pourrait être rognée dans le haut et le bas selon le rapport hauteur/largeur choisi.
- **Native** : Affiche les images telles quelles (format et résolution conservés). Des bandes noires peuvent apparaître ou les images peuvent être rognées, selon la résolution.

☛ **Guide de l'utilisateur du projecteur : Menu Signal**

4 Réglez la mise au point

1. Faites glisser le levier du capot du filtre à air (1) pour ouvrir le capot du filtre à air (2).
2. Utilisez le levier de mise au point (3) pour régler la mise au point (3).

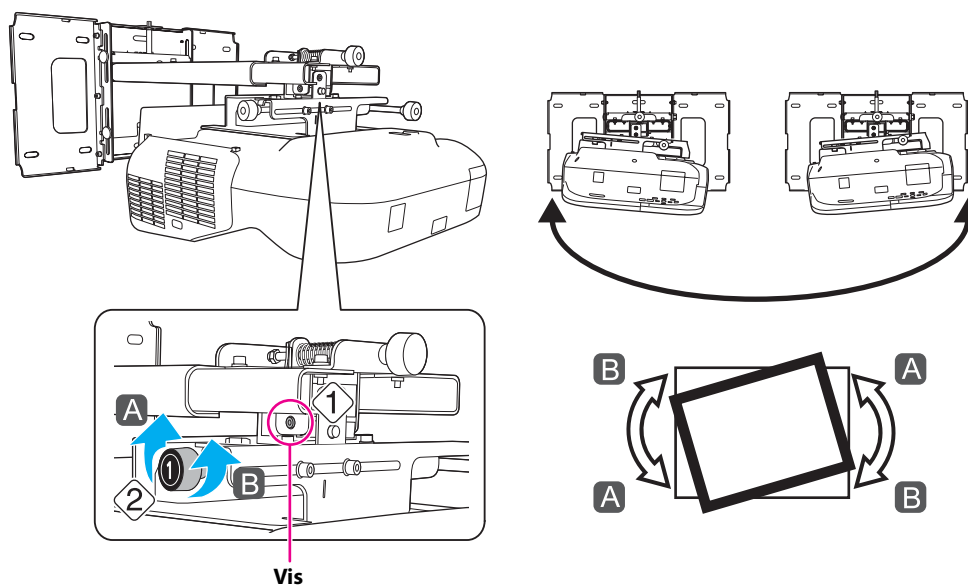


3. Une fois le réglage terminé, fermez le capot du filtre à air.

5 Utilisez la poignée de réglage sur le côté gauche pour régler le roulis horizontal

Répétez les étapes 5 à 10 tel que nécessaire.

1. Desserrez la vis (1) pour déverrouiller la poignée de réglage.

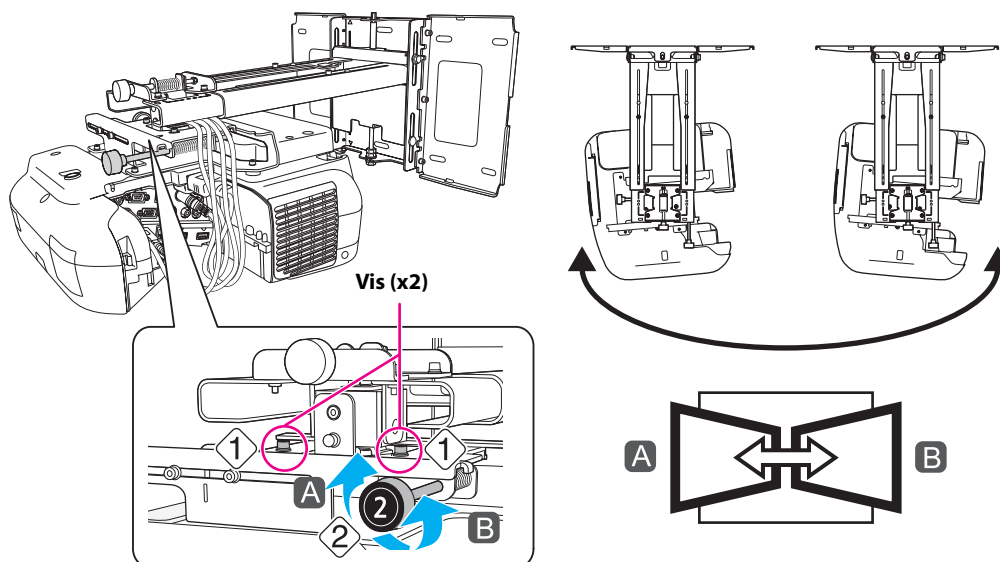


2. Tournez la poignée orange (1) pour régler le roulis horizontal (2).

3. Une fois tous les réglages des étapes ⑤ à ⑩ terminés, serrez la vis que vous avez desserrée à l'étape ①.

⑥ Utilisez la poignée de réglage sur le côté droit pour régler le roulis horizontal

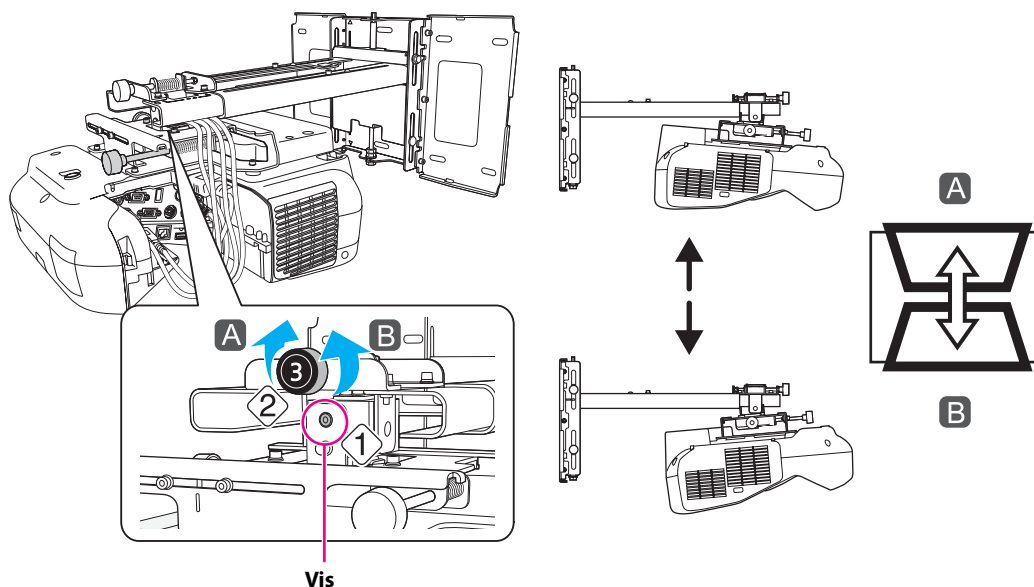
1. Desserrez les vis (x2) pour déverrouiller la poignée de réglage (①).



2. Tournez la poignée bleu foncé (②) pour régler le roulis horizontal (②).
3. Une fois tous les réglages des étapes ⑤ à ⑩ terminés, serrez les vis (x2) que vous avez desserrées à l'étape ①.

7 Utilisez la poignée de réglage dans le haut pour régler l'inclinaison verticale

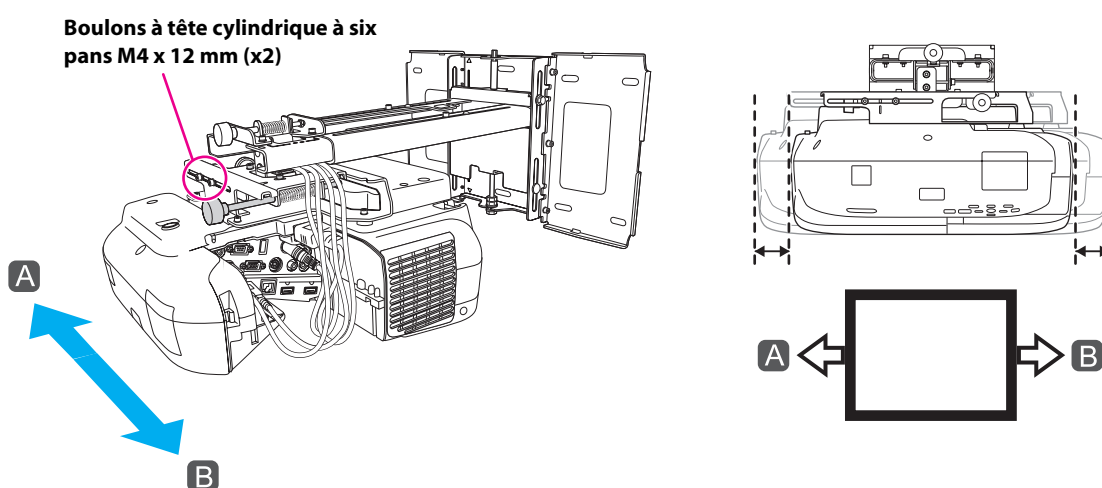
1. Desserrez la vis (1) pour déverrouiller la poignée de réglage.



2. Tournez la poignée bleu pâle (3) pour régler l'inclinaison verticale (2).
3. Une fois tous les réglages des étapes (5) à (10) terminés, serrez la vis que vous avez desserrée à l'étape (1).

8 Réglez le coulissement horizontal

1. Desserrez les boulons à tête cylindrique à six pans M4 x 12 mm (x2), puis réglez la glissière de la plaque coulissante.

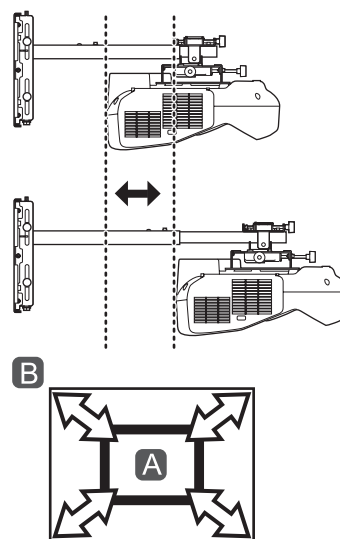
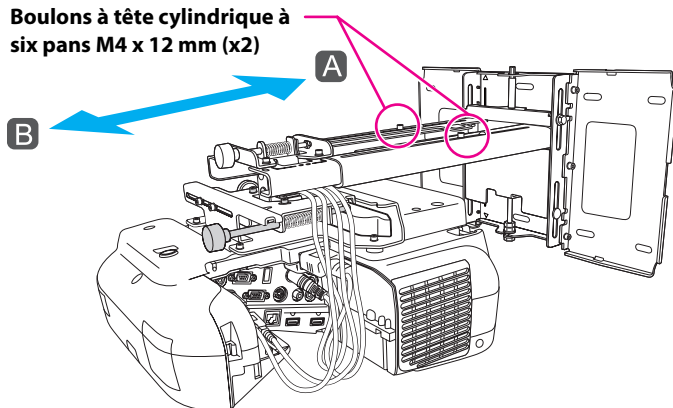


2. Une fois tous les réglages des étapes (5) à (10) terminés, serrez les boulons à tête cylindrique à six pans M4 x 12 mm (x2).

9 Réglez le coulissement vers l'avant/l'arrière

1. Desserrez les boulons à tête cylindrique à six pans M4 x 12 mm (x2), puis réglez la glissière du support de montage.

Boulons à tête cylindrique à six pans M4 x 12 mm (x2)

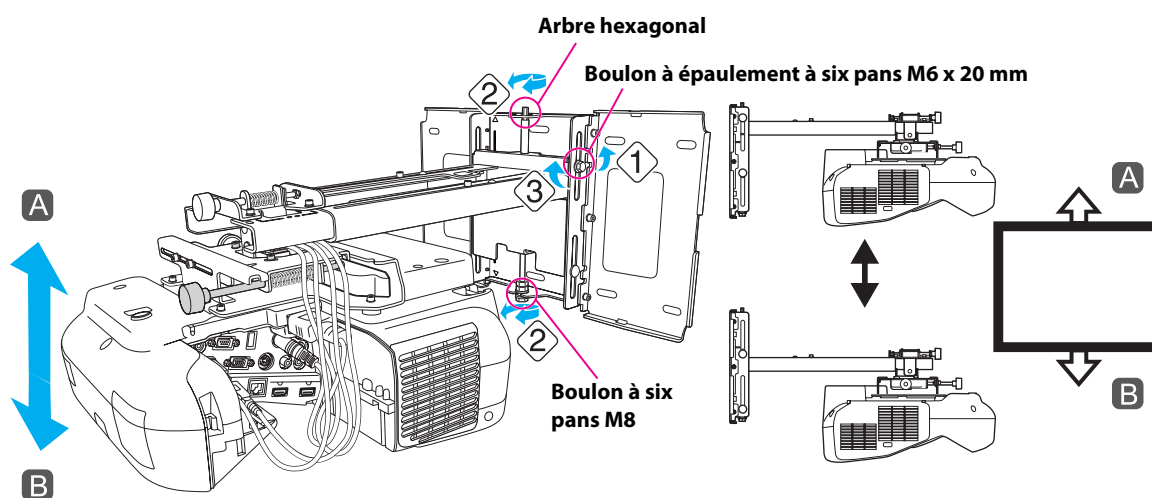


2. Une fois tous les réglages des étapes 5 à 10 terminés, serrez les boulons à tête cylindrique à six pans M4 x 12 mm (x2).

10 Réglez le coulissement vertical

1. Desserrez le boulon à épaulement à six pans M6 x 20 mm (1).
2. Réglez le coulissement vertical à l'aide du boulon à six pans M8 sur la partie inférieure du support de montage, ou de l'arbre hexagonal sur la partie supérieure du support de montage (2).

Serrez le boulon à six pans M8 pour abaisser le support de montage et desserrez-le pour le relever. Serrez l'arbre hexagonal pour relever le support de montage et desserrez-le pour l'abaisser.



3. Serrez le boulon à épaulement à six pans M6 x 20 mm que vous avez desserré à la première étape (3).



Supprimez l'affichage de la mire

Appuyez sur le bouton [Esc] de la télécommande ou du panneau de commande pour supprimer la mire.

 **Avertissement**

Serrez fermement toutes les vis. Sinon, le support de montage ou le projecteur pourrait tomber et provoquer des blessures corporelles ou des dommages matériels.

7 Fixation des caches

1 Fixez le cache du support de montage et le capuchon de protection

Si vous devez utiliser un câble de sécurité, assurez-vous de le fixer avant d'installer le cache de la plaque murale. Consultez la page 88 pour obtenir les instructions.



Vous pouvez utiliser la rallonge du capot de la plaque murale incluse pour augmenter la profondeur du capot de la plaque murale et ainsi loger des câbles et des prises plus larges.

Pour ajouter la rallonge, fixez les deux moitiés de la rallonge aux pièces du capot de la plaque murale avant de placer le capot sur le support.

L'ajout de la rallonge du capot de la plaque murale limite la taille minimale de l'image projetée.

Fixez le cache de la plaque murale (1). Pressez les onglets du cache dans les trous de la plaque murale. (Si vous devez retirer le cache, appuyez sur les onglets.)

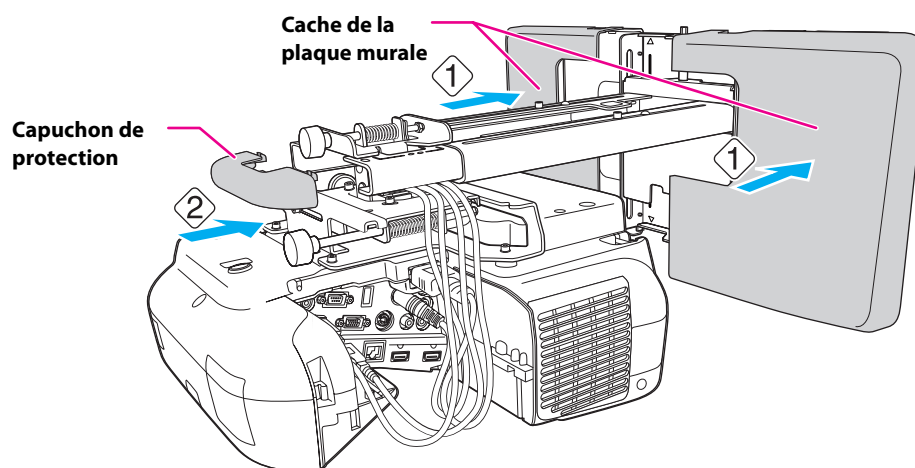


En fonction du câblage, vous devrez peut-être découper une partie du cache de la plaque murale pour pouvoir passer les câbles à travers celui-ci.

Lors de la découpe de la section fine du cache de la plaque murale et du passage des câbles à travers celui-ci, assurez-vous de procéder à un ébavurage afin de lisser les arêtes vives et éviter ainsi d'endommager les câbles.

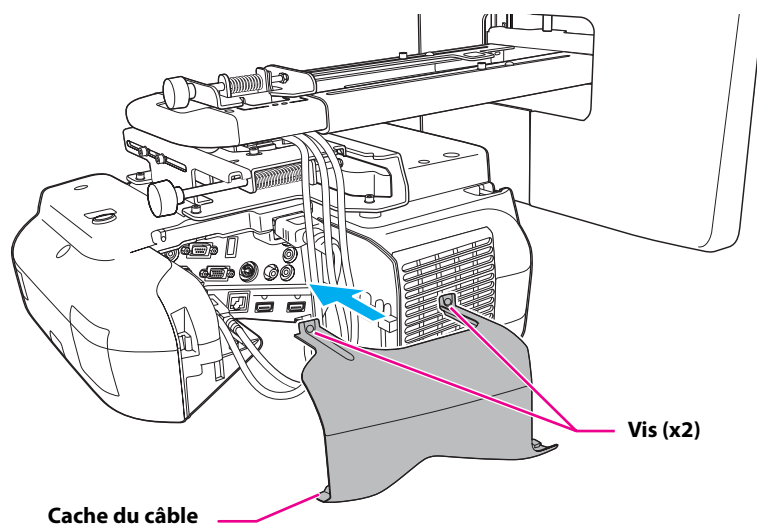
Veillez également à manipuler la lame en toute sécurité.

4. Placez le capuchon de protection, partie concave orientée vers le haut (2).



2 Fixez le cache du câble au projecteur

Fixez le cache du câble et utilisez un tournevis cruciforme pour serrer les vis (x2) et fixer le cache du câble en place.



⚠ Mise en garde

Seul un spécialiste est autorisé à désinstaller ou réinstaller le projecteur, même pour l'entretien et les réparations. Reportez-vous au *Guide de l'utilisateur* de votre projecteur pour plus d'informations sur l'entretien et les réparations.

⚠ Avertissement

- ❑ Ne desserrez jamais les écrous et les boulons après l'installation. Si vous constatez le moindre jeu, resserrez fermement les vis concernées. Sinon, le support de montage ou le projecteur pourrait tomber et provoquer des blessures corporelles ou des dommages matériels.
- ❑ Ne suspendez aucun objet au support de montage ni ne posez d'objet lourd sur celui-ci. La chute du support de montage ou du projecteur peut provoquer des blessures corporelles ou des dommages matériels.

8 Annexe

Pour la fonction Easy Interactive (pour les modèles BrightLink seulement)

Après avoir installé un modèle BrightLink, vous devez procéder à un calibrage afin d'aligner les positions du curseur et des crayons Easy Interactive Pen.

Pour utiliser le logiciel Easy Interactive Tools, vous devez d'abord installer le logiciel sur l'ordinateur. Les utilisateurs d'OS X doivent installer un pilote qui active le crayon. Les deux programmes sont inclus avec le projecteur BrightLink.

Pour obtenir plus de détails, consultez le *Guide de l'utilisateur* en ligne ou sur l'un des sites Web suivants :

É.-U. : epson.com/support/brightlinkdownloads

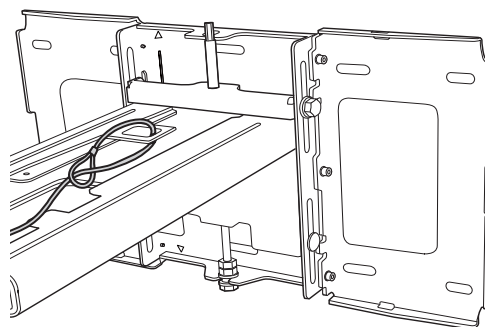
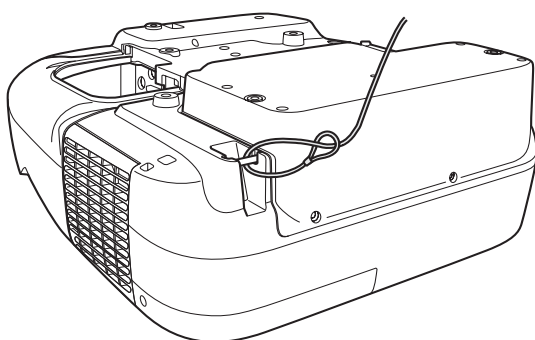
Canada : epson.ca/support/brightlinkdownloads

Fixation d'un câble de sécurité

Si le projecteur doit être installé dans une pièce qui ne sera pas surveillée, vous pouvez utiliser un verrou de câble antivol disponible dans le commerce pour fixer le projecteur à un pilier ou autre objet pour éviter qu'il soit volé.

Faites passer le câble du verrou antivol dans le point d'installation du câble de sécurité.

Pour plus d'informations sur le verrouillage du verrou de câble, reportez-vous au *Guide de l'utilisateur* fourni avec le verrou.



Lorsque l'installation du projecteur est terminée, assurez-vous de laisser la télécommande, les piles et les CD dans la pièce où le projecteur se trouve. Pour le projecteur BrightLink, laissez aussi le(s) crayon(s), les piles, le plateau des crayons et le chargeur des piles dans la pièce où le projecteur se trouve.



412215600

© 2014 Epson America, Inc., 1/14
CPD-40437
Printed in: XXXXXX
Pays d'impression : XXXXXX